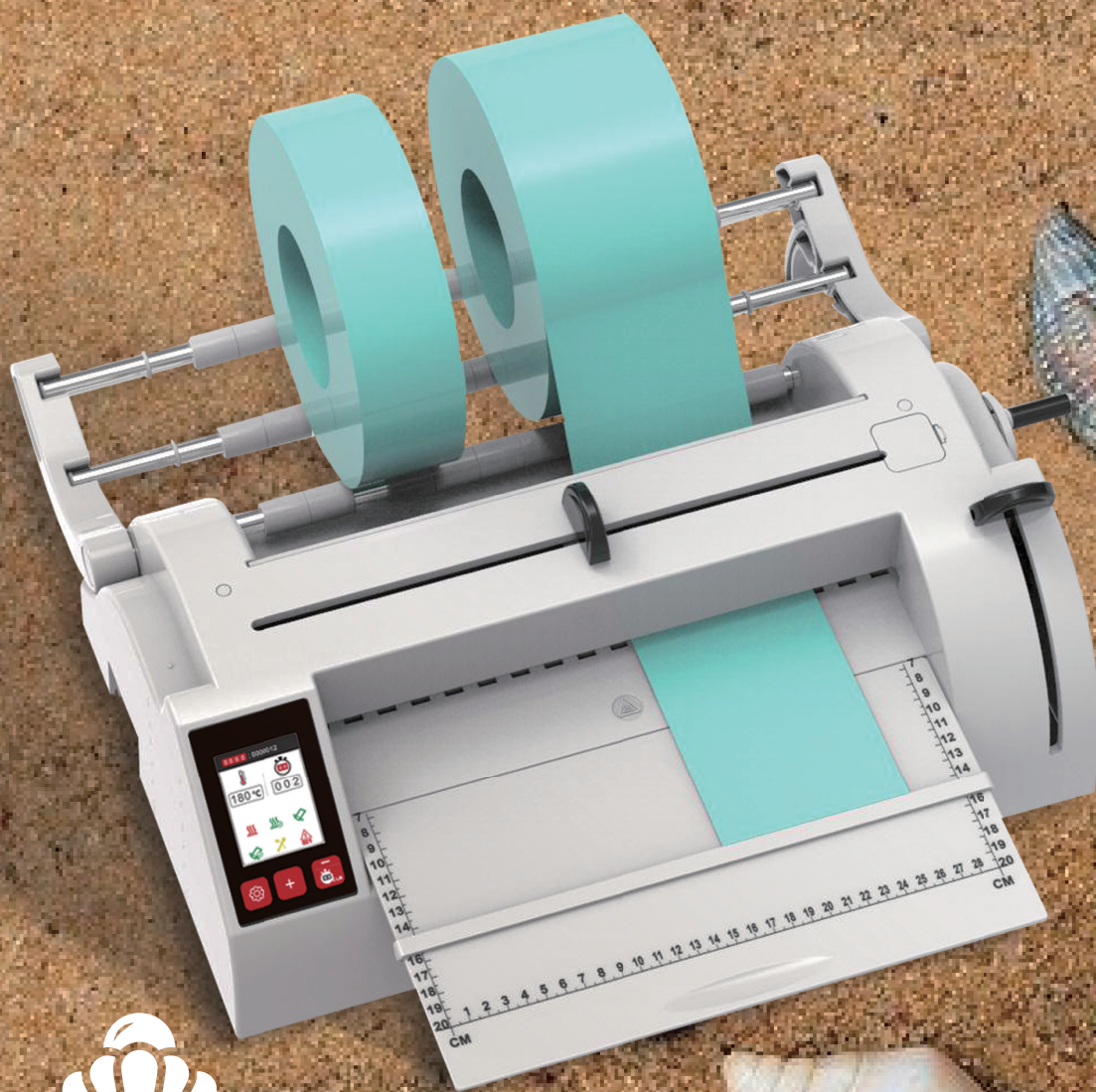


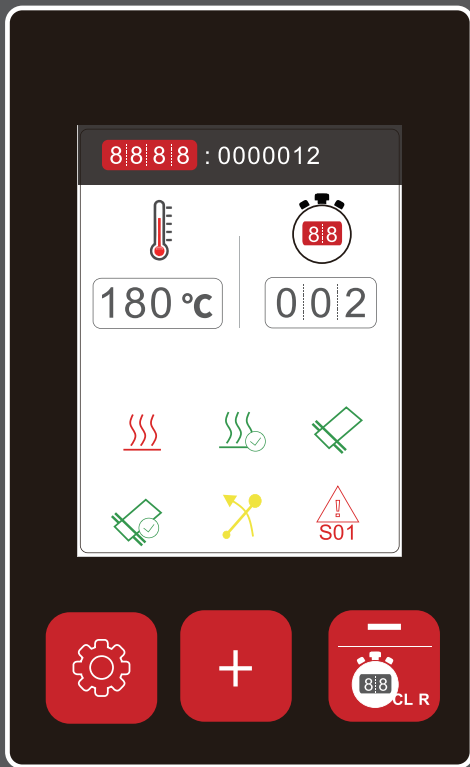
# PEARL SHELL

Groundbreaking and ideal thermal sealer

Popular in Europe



# Austria designed & tested Pearl Shell Sealer



# Sealing Features & User's Benefits



## GROUNDBREAKING POUCH FEEDING AND AVOID PAPER REWIND

Delicate rolling system drives pouches and offer nurses best convenience. It is a non-stopping sealing experiences like 2 times faster then ever.



## ACOUSTIC & VISUAL SIGNALS ASSURE PROPER OPERATIONS

Daily sealing counts and total counts visible, a wide temperature range working for different sealing materials.



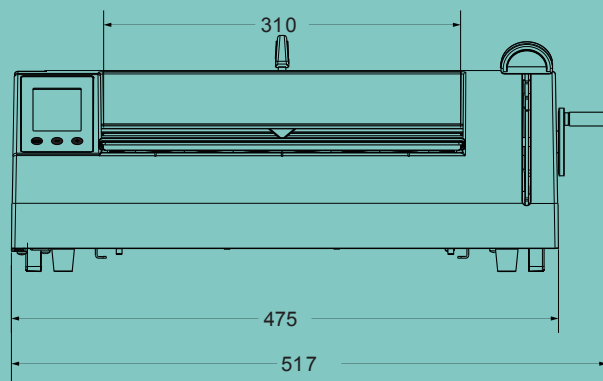
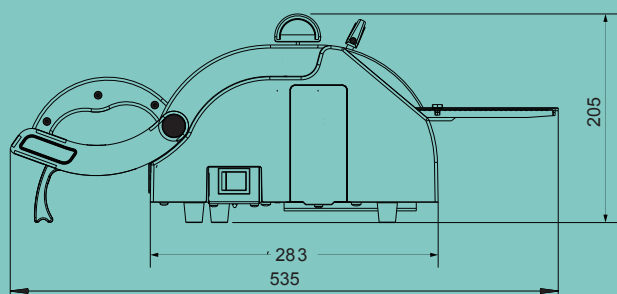
## HANDS-FREE POUCHES LOADING

Proud of an installing free device, new Pearl Shell allows your one move to start sealing. No time is wasted on various-sized papers.



## DATE PRINTER

As an option, it is budget solution to print sealing dates on the stock pouches.





<b>Model</b>	Pearl Shell Pro
<b>Technology</b>	AUTO-FEEDING avoids rewind
<b>Power supply</b>	220/240V, 50/60Hz
<b>Dimansion</b>	517x283x205mm
<b>N.W.</b>	8.8KGs
<b>Rated power</b>	500W
<b>Rated temp.</b>	90C to 210C
<b>Sealing band height</b>	12mm
<b>Max. sealing width</b>	300mm
<b>Date Printer</b>	optional

