



CHAMPION
HEALTH. CARING. CHAIR.



Champion Patient Seating

+1.800.998.5018
championchair.com

champion.

100% FOCUSED ON MEDICAL SEATING

At Champion, we deliver long-term value by optimizing form and function. Our medical seating solutions are designed to deliver high function, optional features and a premium experience for patients and care providers – while providing the value expected by purchasing departments in small to large healthcare organizations.

For chairs, it's Champion.



© 2019 Tom Bonner | UCLA Oncology Clinic | Los Angeles, CA

By offering a broad range of styles, options, and accessories you can create the seating solution that works for your patients and staff. This adaptability had led Champion to be featured in multiple healthcare environments such as:

Ambulatory Surgery
Allergy Therapies
Anesthesia
Bariatrics
Biologics
Cardiology
Dialysis
Ear, Nose and Throat

Emergency
Eye Surgery
ICU
Infectious Diseases
Infusion Therapy
Hyperbarics
Imaging
Labor and Delivery

Mental Health Care
Neurology
Nocturnal Therapies
Nuclear Medicine
Oncology/Hematology
Orthopedic
Outpatient Surgery
Overnight Guest

PACU
Pain Therapy
Patient Rooms
Phlebotomy
Podiatry
Pre/Post Op
Rheumatology
Wound Care



180° swing-away arms for easy transfer and infection control.



Flat body Trendelenburg position for emergency situations.



Patient empowerment options such as heat/massage, USB ports, and tablet tables or monitor mounts.



ALŌ

Curated for the highest quality of care, the ALŌ infusion recliner brings together an array of custom beauty selections to create a stunning and customizable selection for your facility.



CLASSIC

Champion's Classic recliners are the "work-horse" of medical patient seating. Durable, reliable, and comfortable – the Classic can handle what your healthcare environment demands.



ASCENT

The Ascent delivers Champion's hallmark toughness and functionality, with an extra dose of cushioning and contouring for superior comfort and support for all of your patients.



ASCENT II

The Ascent II offers a curved aesthetic, suggestive of traditional wing-back forms, yet is anything but old-school. Empowering your patients through comfort is what the Ascent II does best.



CONTINUUM

Continuum takes your patients and their guests from day to night seamlessly. Seated upright, reclined or fully horizontal for sleeping, Continuum's comfort and versatility are limitless.



PASSAGE

Encompassing residential styling, function and scale, the Passage offers all the features you expect in serious medical seating, while the low-profile design says "make yourself at home."



ELEVATE

The Elevate combines quality and efficiency by utilizing a fully-powered adjustment system including vertical lift to reduce the strain on you to better serve and care for your patients.

OPTIONS & ACCESSORIES

Defining patient comfort and staff needs can vary by department. Customize your Champion chair with a wide selection of styles, options and accessories to create what works best for your unique environment.

SERVICE

Keeping your chairs up and running is our utmost goal. At Champion, we stand behind our products and provide service solutions to get your chairs back on the treatment floor where they belong.



Information contained in this literature is based on the latest product data available at the time of printing. Due to photographic and printing processes, product colors on this brochure are not necessarily accurate. Champion Manufacturing Inc. reserves the right to make changes to colors, materials, prices, standards, options, equipment and any specification at any time without notice or obligation. Contact Champion or your local Champion representative for additional information and the latest specifications.

CHAMPION™

Quality Healthcare Seating Products

54 Series

RECLINER/TRANSPORTER

RATED UP TO 300 LBS.

Part #547 MANUAL RECLINER
Part #54P POWER RECLINER*



Shown with optional second side table with cup holder.

Patient comfort, ease of use, dependability and long life make our classic 54 Series the “workhorse” recliner/transporter of the industry. The 54 Series is engineered for your most demanding applications, including around-the-clock use. Durable five-inch casters roll easily during transport.

All steel, powder-coated frame for durability.

Z-spring construction for greater comfort.



Patients recline easily by themselves.

STANDARD FEATURES

- Stationary arms
- Fold-away side table (one)
- Push handle
- Retractable foot tray
- 5" thermoplastic casters
- Wall-hugger mechanism (infinite recline positions)
- Quick-release seat

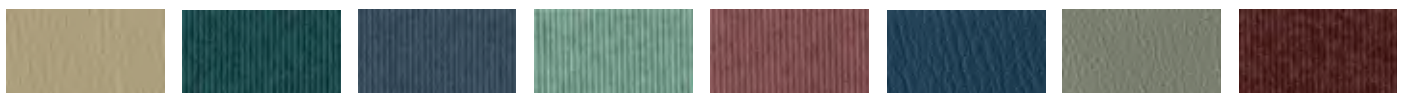
Wall-hugger recline mechanism



Quick-release seat



STANDARD VINYL SELECTION



Natural
T09

Aquamarine
T19

Bonnie Blue
T21

Iced Mint
T26

Tearose
T43

Colonial Blue
T45

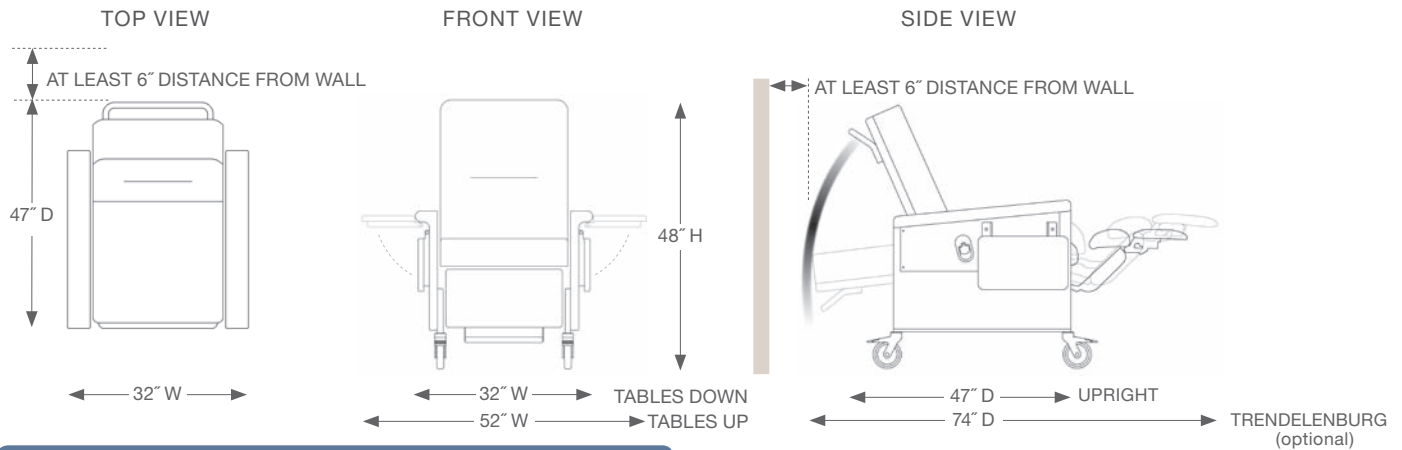
Gray
T56

Cranberry
T96

Printed color swatches may not be an exact match to actual fabrics and are enlarged to show detail.

*The 54P (without the heat & massage option) is UL 60601-1 certified.

SPACE REQUIREMENTS



SPECIFICATIONS

Weight capacity	300 lbs.
Back height (from floor/seat)	48"/29"
Overall width (2 tables down/up)	32"/52"
Seat width	22.5"
Arm height (from floor, front/back)	30"/27"
Seat height/depth	22.5"/18"
Upright overall depth (w/handle)	47"
Thermoplastic casters	5"



OPTIONS

Trendelenburg (T)

Break-away arm – Note patient left (L) or right (R) side

Additional fold-away side table (S7) – not available with break-away arm option

Cupholder – on all tables (C), on one of two tables, specify CUP-HOLDER (right or left)

Premium casters – Set of 4 (K)

Heat (J) – (547 manual model only)

Heat and massage (JM)

CAL 133 fire barrier (3)**

Vinyl upgrades

Champion, graded vinyl selections***

Customer's own material (COM)

PVC-free material

Dual-hand control (DUALACT-PWR) – (54P model only)

Battery backup (BATTERY) – (54P model only)

**Contact Champion for a list of fire-tested vinyls.

***For available patterns and colors for graded vinyl selections, please contact your Champion sales representative.



HEAT OR HEAT/MASSAGE



BREAK-AWAY ARM



TRENDLENBURG



VINYL UPGRADES

ACCESSORIES

Provide your patient the best care and comfort with an over-the-lap tray, cup holders, head pillow/lumbar support, cushion wedge/arm support, footrest extender, TV mount, nocturnal sleep pad, side guards, IV poles

or an oxygen tank holder. For a complete list of our accessories, please see our *Accessories* brochure or ask your Champion sales representative for more information.

CHAMPION™ Champion Manufacturing, Inc. | 1.800.998.5018
 Elkhart, IN 46516 | www.championchair.com

Information contained in this literature is based on the latest product data available at the time of printing. Photography, artwork, text and specifications are subject to change. Photography may show optional items. Due to photographic and printing processes, product colors in this brochure are not necessarily accurate. Champion Manufacturing, Inc. reserves the right to make changes to colors, materials, prices, standards, options, equipment and any specification at any time without notice or obligation. Contact Champion direct for additional information and the latest specifications.

© 2013 Champion Manufacturing, Inc. Litho in USA CM-262 06/13

CHAMPION™

Quality Healthcare Seating Products

59 Series

RELAX RECLINER

RATED UP TO 300 LBS.

Part #596 MANUAL RECLINER
Part #59P POWER RECLINER*



Shown with optional side tables.

Providing a cost effective alternative *when patient transport is not required*, the 59 Series starts off with durable three-inch casters that bring the recliner closer to the ground. From there, build the recliner to meet the needs of your patient population by adding available options and accessories.

Z-spring construction for greater comfort.



All steel, powder-coated frame for durability.**

STANDARD FEATURES

Stationary arms

3" steel casters

Wall-hugger mechanism (infinite recline positions)

Quick-release seat

Wall-hugger recline mechanism



Quick-release seat



STANDARD VINYL SELECTION



Natural
T09



Aquamarine
T19



Bonnie Blue
T21



Iced Mint
T26



Tearose
T43



Colonial Blue
T45



Gray
T56



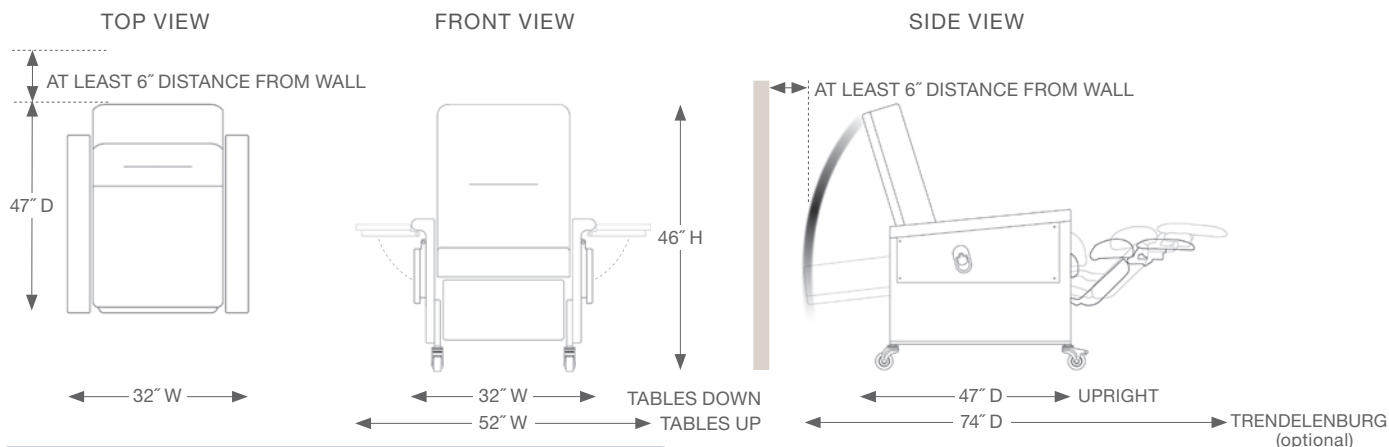
Cranberry
T96

Printed color swatches may not be an exact match to actual fabrics and are enlarged to show detail.

*The 59P (without the heat & massage option) is UL 60601-1 certified.

**Retractable foot tray and five-inch casters do not come with the 59 Series, but can be added as an option.

SPACE REQUIREMENTS



SPECIFICATIONS

Weight capacity	300 lbs.
Back height (from floor/seat)	46"/29"
Overall width (2 tables down/up)	32"/52"
Seat width	22.5"
Arm height (from floor, front/back)	27.5"/24.5"
Seat height/depth	21"/18"
Upright overall depth	47"
Steel casters	3"



OPTIONS

Trendelenburg (T)

Break-away arm – Note patient left (L) or right (R) side

First fold-away side table (F) – Note patient left (L) or right (R) side

Second fold-away side table (S7) –
not available with break-away arm option

Cupholder – on all tables (C), on one of two tables,
specify CUP-HOLDER (right or left)

Retractable foot tray (P)

Heat (J) – (596 manual model only)

Heat and massage (JM) – (596 model only)

Heat and massage (I) – (59P model only)

CAL 133 fire barrier (3)***

Vinyl upgrades

Champion, graded vinyl selections****

Customer's own material (COM)

PVC-free material

Battery backup (BATTERY) – (59P model only)

Dual-hand control (DUALACT-PWR) – (59P model only)

***Contact Champion for a list of fire-tested vinyls.

****For available patterns and colors for graded vinyl selections, please contact your Champion sales representative.



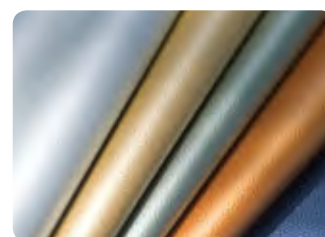
HEAT OR HEAT/MASSAGE



BREAK-AWAY ARM



TRENDLENBURG**



VINYL UPGRADES

ACCESSORIES

Provide your patient the best care and comfort with an over-the-lap tray, cup holders, head pillow/lumbar support, cushion wedge/arm support, footrest extender, TV mount, nocturnal sleep pad, side guards, IV poles

or an oxygen tank holder. For a complete list of our accessories, please see our Accessories brochure or ask your Champion sales representative for more information.

CHAMPION™ Champion Manufacturing, Inc. | 1.800.998.5018
 Elkhart, IN 46516 | www.championchair.com

Information contained in this literature is based on the latest product data available at the time of printing. Photography, artwork, text and specifications are subject to change. Photography may show optional items. Due to photographic and printing processes, product colors in this brochure are not necessarily accurate. Champion Manufacturing, Inc. reserves the right to make changes to colors, materials, prices, standards, options, equipment and any specification at any time without notice or obligation. Contact Champion direct for additional information and the latest specifications.

© 2014 Champion Manufacturing, Inc. Litho in USA CM-396 09/14

CHAMPION™

Quality Healthcare Seating Products

85 Series

RECLINER/TRANSPORTER

RATED UP TO 300 LBS.

Part #858 MANUAL RECLINER
Part #85P POWER RECLINER*



ARMS
OPEN
180°

Shown with optional second side table.

The 85 Series Recliner Transporter offers all of the classic features of a Champion with the convenience of swing-arms. Continuing Champion's tradition of durability, it features a rock-solid steel frame. Standard swing-arms provide versatility, easy cleaning, efficient maintenance and patient transfers. Durable five-inch casters roll easily during transport and raise the chair to a comfortable height for staff.

Z-spring construction for greater comfort.



All steel, powder-coated frame for durability.

STANDARD FEATURES

- Swing-away arms
- Fold-away side table (one)
- Push handle
- Retractable foot tray
- 5" thermoplastic casters
- Wall-hugger mechanism (infinite recline positions)
- Quick-release seat

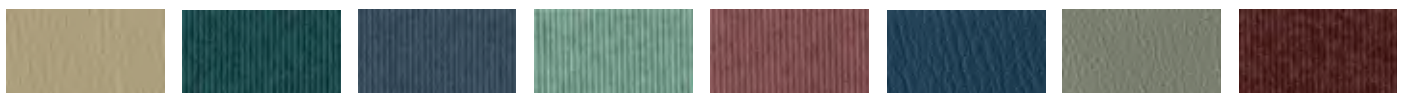
Wall-hugger recline mechanism



Quick-release seat



STANDARD VINYL SELECTION



Natural
T09

Aquamarine
T19

Bonnie Blue
T21

Iced Mint
T26

Tearose
T43

Colonial Blue
T45

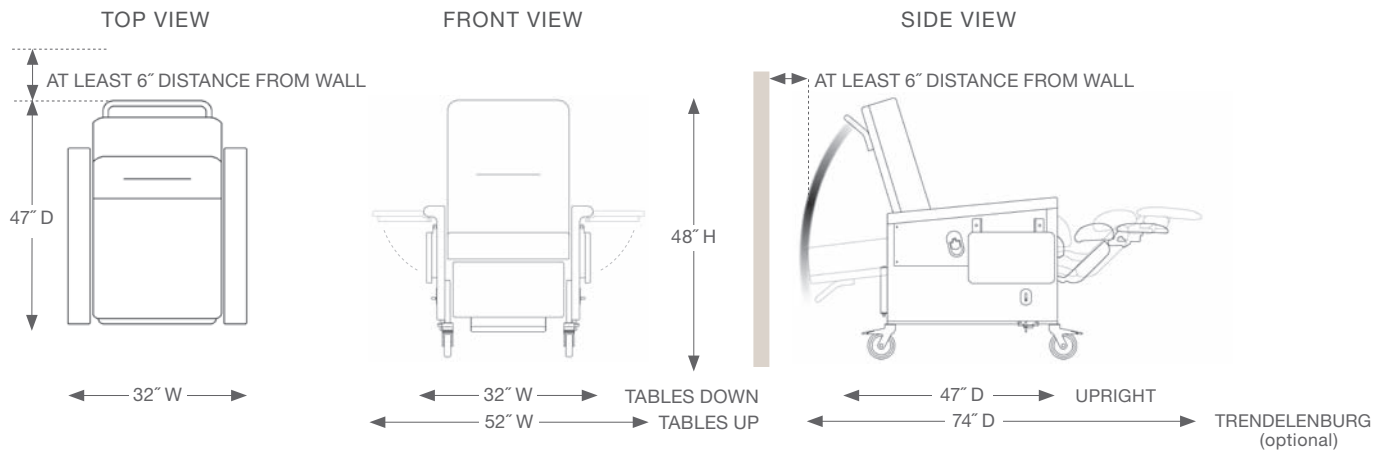
Gray
T56

Cranberry
T96

Printed color swatches may not be an exact match to actual fabrics and are enlarged to show detail.

*The 85P (without the heat and massage option) is UL 60601-1 certified.

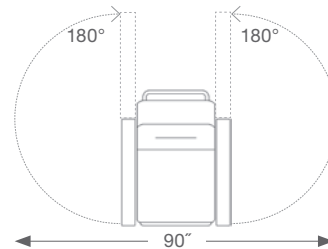
SPACE REQUIREMENTS



SPECIFICATIONS

Weight capacity	300 lbs.
Back height (from floor/seat)	48"/29"
Overall width (2 tables down/up)**	32"/52"
Seat width	22.5"
Arm height (from floor, front/back)	30"/27"
Seat height/depth	22.5"/18"
Upright overall depth (w/handle)	47"
Thermoplastic casters	5"

TOP VIEW WITH SWING-AWAY ARMS



OPTIONS

Trendelenburg (T)
Fold-away side table (S7)
Cupholder – on all tables (C), on one of two tables, specify CUP-HOLDER (right or left)
Premium casters – Set of 4 (K)
Heat (J) – (858 manual model only)
Heat and massage (JM)
CAL 133 fire barrier (3)***
Vinyl upgrades Champion, graded vinyl selections**** Customer's own material (COM) PVC-free material
Dual-hand control (DUALACT-PWR) – (85P model only)
Battery backup (BATTERY) – (85P model only)

**Measured with both arms closed.

***Contact Champion for a list of fire-tested vinyls.

****For available patterns and colors for graded vinyl selections, please contact your Champion sales representative.



HEAT OR HEAT/MASSAGE



VINYL UPGRADES



TRENDLENBURG

ACCESSORIES

Provide your patient the best care and comfort with an over-the-lap tray, cup holders, head pillow/lumbar support, cushion wedge/arm support, footrest extender, TV mount, nocturnal sleep pad, side guards, IV poles

or an oxygen tank holder. For a complete list of our accessories, please see our *Accessories* brochure or ask your Champion sales representative for more information.

CHAMPION™ Champion Manufacturing, Inc. | 1.800.998.5018
 Elkhart, IN 46516 | www.championchair.com

Information contained in this literature is based on the latest product data available at the time of printing. Photography, artwork, text and specifications are subject to change. Photography may show optional items. Due to photographic and printing processes, product colors in this brochure are not necessarily accurate. Champion Manufacturing, Inc. reserves the right to make changes to colors, materials, prices, standards, options, equipment and any specification at any time without notice or obligation. Contact Champion direct for additional information and the latest specifications.

© 2013 Champion Manufacturing, Inc. Litho in USA CM-255 06/13

CHAMPION™

Quality Healthcare Seating Products

89 Series

RELAX RECLINER

RATED UP TO 300 LBS.

Part #898 MANUAL RECLINER
Part #89P POWER RECLINER*



Shown with optional side table.

The 89 Series Relax Recliner is an economical, adaptable choice in patient seating *when patient transport is not needed*. Start with basic recliner and choose only the features required for your specific treatment therapies. Standard swing-arms provide versatility, easy cleaning, efficient maintenance and patient transfers.



Z-spring construction for greater comfort.

All steel, powder-coated frame for durability.**

STANDARD FEATURES

Swing-away arms

3" steel casters

Wall-hugger mechanism (infinite recline positions)

Quick-release seat

Wall-hugger recline mechanism



Quick-release seat



STANDARD VINYL SELECTION



Natural
T09



Aquamarine
T19



Bonnie Blue
T21



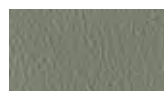
Iced Mint
T26



Tearose
T43



Colonial Blue
T45



Gray
T56



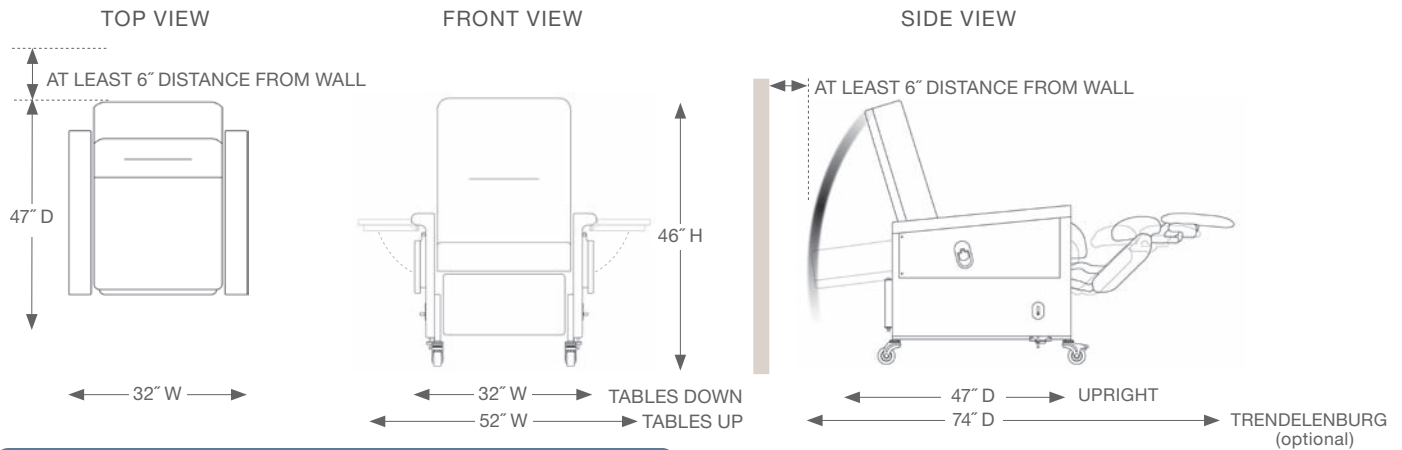
Cranberry
T96

Printed color swatches may not be an exact match to actual fabrics and are enlarged to show detail.

*The 89P (without the heat and massage option) is UL 60601-1 certified.

**Retractable foot tray and five-inch casters do not come with the 89 Series, but can be added as an option.

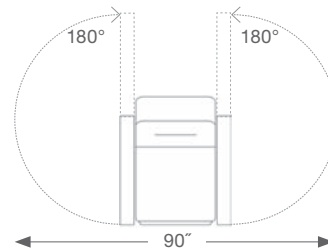
SPACE REQUIREMENTS



SPECIFICATIONS

Weight capacity	300 lbs.
Back height (from floor/seat)	46"/29"
Overall width (2 tables down/up)***	32"/52"
Seat width	22.5"
Arm height (from floor, front/back)	27.5"/24.5"
Seat height/depth	21"/18"
Upright overall depth	47"
Steel casters	3"

TOP VIEW WITH SWING-AWAY ARMS



OPTIONS

Trendelenburg (T)
Fold-away side table – First (F) Second (S7)
Retractable foot tray (P)
Push handle (H)
Cupholder – on all tables (C), on one of two tables, specify CUP-HOLDER (right or left)
Heat (J) – (898 manual model only)
Heat and massage (JM)
CAL 133 fire barrier (3)****
Vinyl upgrades
Champion, graded vinyl selections*****
Customer's own material (COM)
PVC-free material
Dual-hand control (DUALACT-PWR) – (89P model only)
Battery backup (BATTERY) – (89P model only)



HEAT OR HEAT/MASSAGE



VINYL UPGRADES



TRENDELENBURG**

***Measured with both arms closed.

****Contact Champion for a list of fire-tested vinyls.

*****For available patterns and colors for graded vinyl selections, please contact your Champion sales representative.

ACCESSORIES

Provide your patient the best care and comfort with an over-the-lap tray, cup holders, head pillow/lumbar support, cushion wedge/arm support, footrest extender, TV mount, nocturnal sleep pad, side guards, IV poles

or an oxygen tank holder. For a complete list of our accessories, please see our *Accessories* brochure or ask your Champion sales representative for more information.

CHAMPION™

Champion Manufacturing, Inc.
Elkhart, IN 46516

1.800.998.5018
www.championchair.com

Information contained in this literature is based on the latest product data available at the time of printing. Photography, artwork, text and specifications are subject to change. Photography may show optional items. Due to photographic and printing processes, product colors in this brochure are not necessarily accurate. Champion Manufacturing, Inc. reserves the right to make changes to colors, materials, prices, standards, options, equipment and any specification at any time without notice or obligation. Contact Champion direct for additional information and the latest specifications.



CHAMPION[®]
HEALTH. CARING. CHAIR.

Ascent

MEDICAL RECLINER/TRANSPORTER

RATED UP TO 300 LBS.

Part #650 MANUAL RECLINER
Part #65P POWER RECLINER



ARMS
OPEN
180°

Shown with optional second side table and head flap.

Increased padding for added softness and comfort during treatment, subtle curves, and swing-away arms for infection control make the Ascent recliner ideal for both patient and caregiver. It has all the durable engineering and strength of our Classic recliner design with an upscale look.

All steel, powder-coated frame for durability.

Z-spring construction for greater comfort.



Swing-away arms make transferring easier.



STANDARD FEATURES

- Swing-away arms
- Fold-away side table (one)
- Push handle
- Retractable foot tray
- 4" twin wheel casters
- Wall-hugger mechanism (infinite recline positions)
- Quick-release seat

Twin wheel casters



Wall-hugger recline mechanism



Quick-release seat



STANDARD VINYL SELECTION



Natural
T09



Aquamarine
T19



Bonnie Blue
T21



Iced Mint
T26



Tearose
T43



Colonial Blue
T45



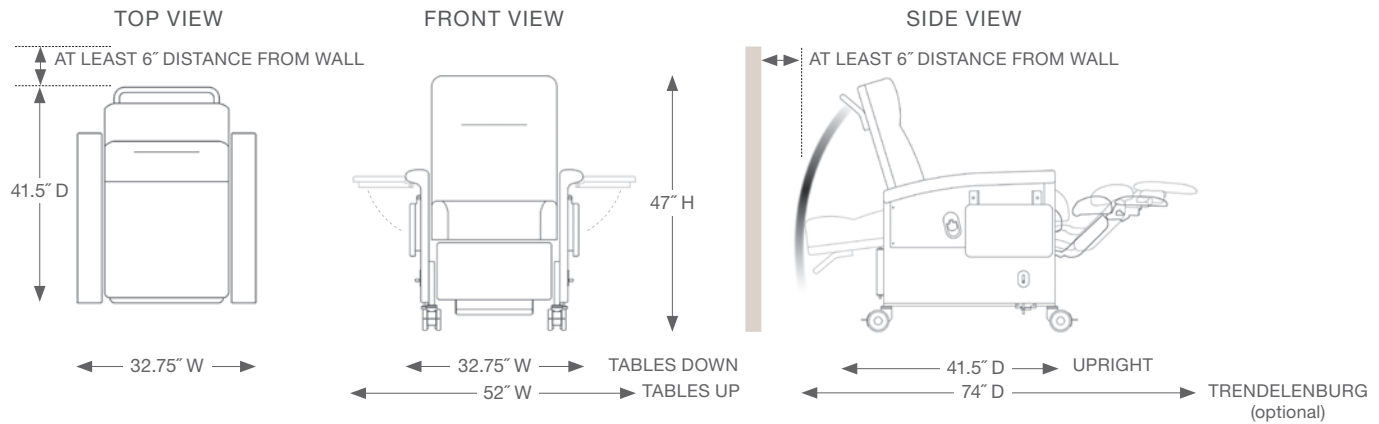
Gray
T56



Cranberry
T96

Printed color swatches may not be an exact match to actual fabrics and are enlarged to show detail.

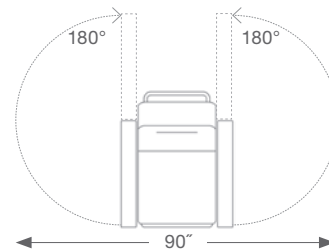
SPACE REQUIREMENTS



SPECIFICATIONS

Weight capacity	300 lbs.
Back height (from floor/seat)	47"/26.25"
Overall width (2 tables down/up)*	32.75"/52"
Seat width	22.5"
Arm height (from floor, front/back)	29"/26"
Seat height/depth	24.5"/20.5"
Upright overall depth (w/handle)	41.5"
Twin wheel casters	4"

TOP VIEW WITH SWING-AWAY ARMS

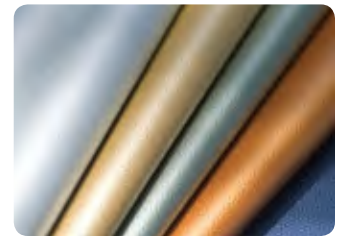


OPTIONS

Trendelenburg (T)
Additional fold-away side table (S7)
Arm cap (E)
Central locking casters (O)
Cupholder – on all tables (C), on one of two tables, specify CUP-HOLDER (right or left)
Heat (J) – (650 manual model only)
Heat and massage (JM) – (650 model only)
Heat and massage (I) – (65P model only)
Cal 133 fire barrier (3)**
Vinyl upgrades
Champion, graded vinyl selections***
Customer's own material (COM)
PVC-free material
Battery backup (BATTERY) – (65P model only)
Dual-hand control (DUALACT-PWR) – (65P model only)



HEAT OR HEAT/MASSAGE



VINYL UPGRADES



TRENDELENBURG



ARM CAP

*Measured with both arms closed.

**Contact Champion for a list of fire-tested vinyls.

***For available patterns and colors for graded vinyl selections, please contact your Champion sales representative.

ACCESSORIES

Provide your patient the best care and comfort with an over-the-lap tray, cup holders, head pillow/lumbar support, cushion wedge/arm support, footrest extender, TV mount, IV poles or an oxygen tank holder.

For a complete list of our accessories, please see our *Accessories* brochure or ask your Champion sales representative for more information.

CHAMPION[®] Champion Manufacturing Inc. | 1.800.998.5018
Elkhart, IN 46516 | championchair.com

Information contained in this literature is based on the latest product data available at the time of printing. Photography, artwork, text and specifications are subject to change. Photography may show optional items. Due to photographic and printing processes, product colors in this brochure are not necessarily accurate. Champion Manufacturing Inc. reserves the right to make changes to colors, materials, prices, standards, options, equipment and any specification at any time without notice or obligation. Contact Champion direct for additional information and the latest specifications.



CHAMPION
HEALTH. CARING. CHAIR.

Ascent II

MEDICAL RECLINER/TRANSPORTER

RATED UP TO 300 LBS.

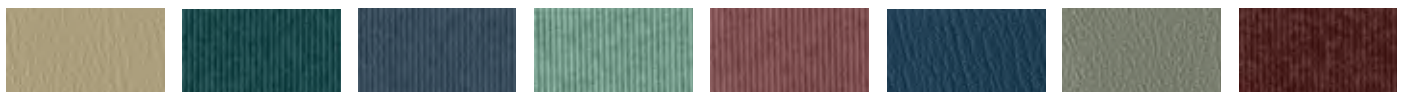
Part #67P POWER RECLINER



Shown with optional second side table.

Luxe and stylish, the Ascent II power recliner puts a new twist on serious medical seating. The curved top-line of the seat back offers additional head room while the “wing-back” design adds style and customization options for designers. Standard features such as swing-away arms and a removable seat aid in meeting infection control goals, four-inch, twin wheel casters are corrosion resistant and roll with ease, and a hand-held remote follows for easy patient positioning.

STANDARD VINYL SELECTION



Natural
T09

Aquamarine
T19

Bonnie Blue
T21

Iced Mint
T26

Tearose
T43

Colonial Blue
T45

Gray
T56

Cranberry
T96

Printed color swatches may not be an exact match to actual fabrics and are enlarged to show detail.



Hand-held remote for ease of recline positioning.



Swing-away arms make lateral patient transfer and infection control easier.



All steel, powder-coated frame for durability.

Z-spring construction for greater comfort.

STANDARD FEATURES

Hand-held remote

Swing-away arms

Fold-away side table (one)

Push handle

Retractable foot tray

4" twin wheel casters

Wall-hugger mechanism (infinite recline positions)

Quick-release seat

4" twin wheel casters



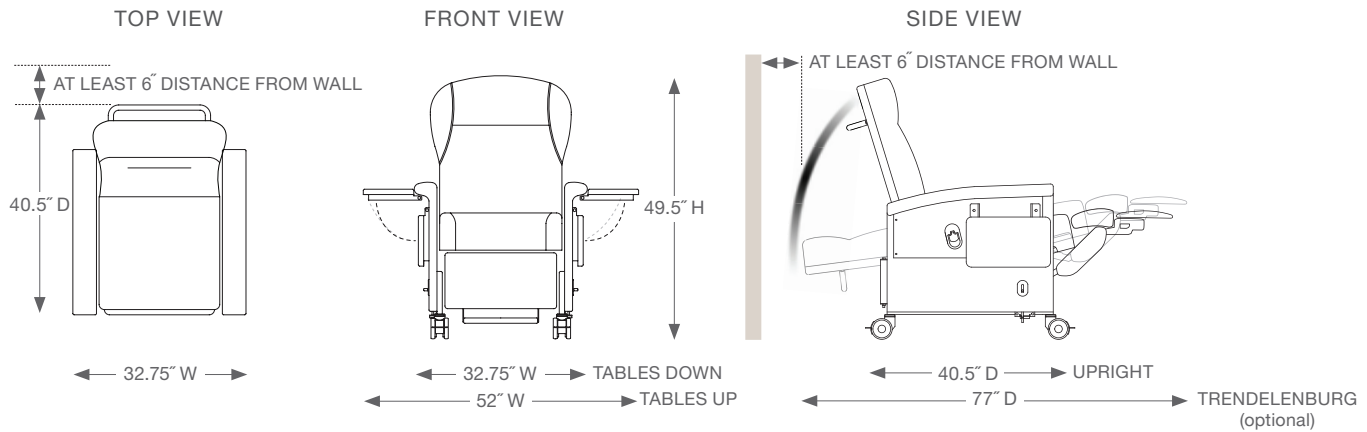
Wall-hugger recline mechanism



Quick-release seat



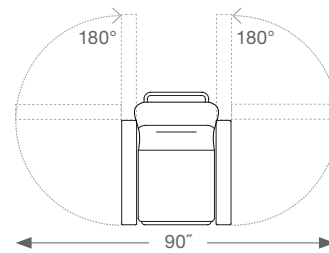
SPACE REQUIREMENTS



SPECIFICATIONS

Weight capacity	300 lbs.
Back height (from floor/seat)	49.5"/28.75"
Overall width (2 tables down/up)*	32.75"/52"
Seat width	22.5"
Arm height (from floor, front/back)	29"/26"
Seat height/depth	24.5"/20.5"
Upright overall depth (w/handle)	40.5"
Twin wheel casters	4"

TOP VIEW WITH SWING-AWAY ARMS



OPTIONS

Trendelenburg (T)
Additional fold-away side table (S7)
Arm cap (E)
Central locking casters (O)
Cupholder – on all tables (C), on one of two tables, specify CUP-HOLDER (right or left)
Heat and massage (I)
Cal 133 fire barrier (3)**
Vinyl upgrades Champion, graded vinyl selections*** Customer's own material (COM) PVC-free material
Battery backup (BATTERY)
Dual-hand control (DUALACT-PWR)



HEAT/MASSAGE



VINYL UPGRADES



TRENDLENBURG



ARM CAP

*Measured with both arms closed.

**Contact Champion for a list of fire-tested vinyls. Not available with two-tone vinyl option.

***For available patterns and colors for graded vinyl selections, please contact your Champion sales representative.

ACCESSORIES

Provide your patient the best care and comfort with an over-the-lap tray, cup holders, head pillow/lumbar support, cushion wedge/arm support, footrest extender, TV mount, IV poles or an oxygen tank holder.

For a complete list of our accessories, please see our *Accessories* brochure or ask your Champion sales representative for more information.

CHAMPION[®]

Champion Manufacturing Inc.
 Elkhart, IN 46516

1.800.998.5018
 championchair.com

Information contained in this literature is based on the latest product data available at the time of printing. Photography, artwork, text and specifications are subject to change. Photography may show optional items. Due to photographic and printing processes, product colors in this brochure are not necessarily accurate. Champion Manufacturing Inc. reserves the right to make changes to colors, materials, prices, standards, options, equipment and any specification at any time without notice or obligation. Contact Champion direct for additional information and the latest specifications.

champion.

alō ONCOLOGY / INFUSION
MEDICAL RECLINER/TRANSPORTER



Shown with back style B (64P), two tone vanity panel, and a pivot table.

The Alō recliner is our premium choice for treatment seating in oncology and infusion. Curated for the highest quality of care and aesthetic, the Alō brings together an array of custom beauty choices combined with standard features such as swing-away arms and comfort padding to create a stunning selection for your next infusion recliner.

STANDARD SELECTIONS



A

BACK STYLES

	MODEL NUMBER		Weight Capacity
	Power	Manual	
A Straight back	61P	610	300 lbs
Straight back (XL)	62P	620	500 lbs
B Wingback	63P	n/a	300 lbs
Wingback (XL)	64P	n/a	500 lbs

STANDARD FEATURES

	A	B
Swing-away arms	✓	✓
Trendelenburg	✓	✓
Vanity panel selection †	✓	✓
Side table (choice of 2 table styles)	✓	✓
Retractable foot tray	✓	✓
Push handle	✓	✓
Wall-hugger mechanism (infinite recline positions)	✓	✓
Quick-release seat	✓	✓
4" dual thermoplastic casters	✓	✓

† Not available with Tuxedo style

VANITY PANEL STYLES

Clean and simple
Emboss* (Diamond or Wave pattern)
Two-tone (choose a second material) Grades 1-4 included
*Available in standard coverings Pearl, Milieu, Dolphin and Stone. For more emboss covering selections, contact your local Champion representative.



Clean and simple



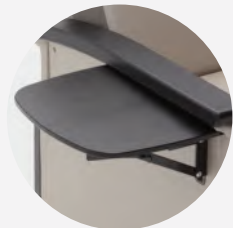
Emboss*



Two-tone pattern

TABLE STYLES

Stationary or pivoting tables



Fold-away table (black)



Pivot table (black)

STANDARD COVERINGS

All standard covering selections are Greenguard certified

‡ Iridescent sheen



PEARL* ‡
MOC16

VINYL



MILIEU* ‡
MOC10

VINYL



LUCID
C0460

POLYURETHANE



DOLPHIN*
MOC49

VINYL



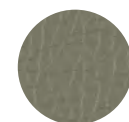
STONE*
MOC27

VINYL



SAND DOLLAR
C8662

POLYURETHANE



VERDITE
C0592

POLYURETHANE



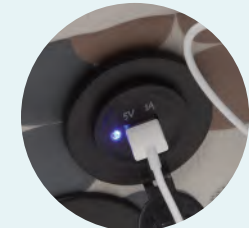
BALLAD
C0383

POLYURETHANE

ADDITIONAL OPTIONS

ADDITIONAL BODY OPTIONS ◇

Heat + massage (USB charging port included)
Heat (manual model only, USB charging port included)
USB charging port (right side only)
Black arm caps
Central-locking casters
Dual-hand control (power models only)
Articulating tablet arm
Articulating TV/monitor mount
IV pole (2 prong, 4 prong)
◇ Additional charges apply



USB charging port



Articulating tablet arm



Central-locking casters



Articulating TV/monitor mount



Heat + Massage



Black arm caps

TUXEDO STYLE ◇

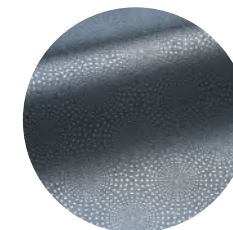
Second material accent on seat back wings, foot rest, and rear cover
Black arm caps
Clean and simple vanity panel
Only available on back style B

COVERING UPGRADES ◇

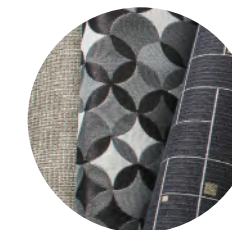
Silicone and Polyurethane
PVC-free material
Graded vinyl selections
Customer's own material (COM)
Please contact your local Champion representative for more information.



Silica



Patterned Choices



COM

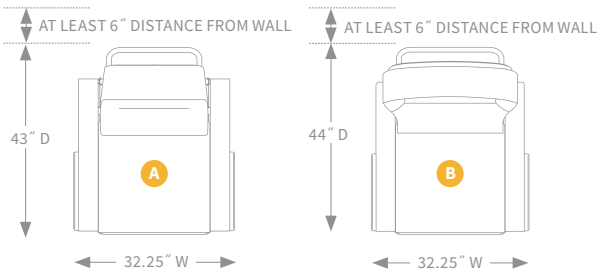


Polyurethane

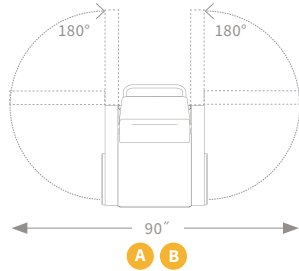


SPACE REQUIREMENTS* (610 & 63P)

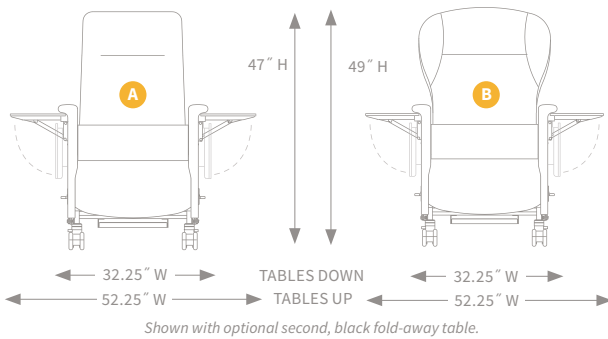
TOP VIEW



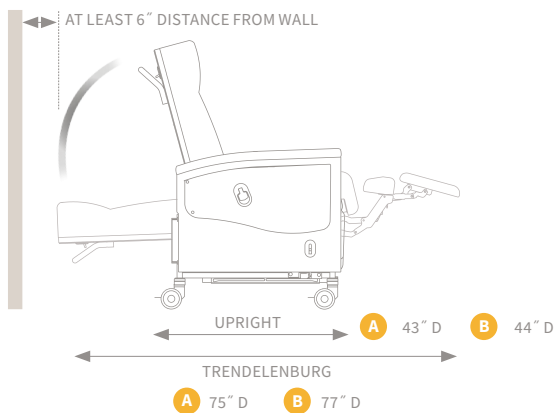
TOP VIEW WITH SWING-AWAY ARMS



FRONT VIEW



SIDE VIEW



champion

SPECIFICATIONS*

	A 610/61P	B 63P
Weight capacity	300 lbs.	300 lbs.
Back style	Straight	Wingback
Back height (from floor/seat)	47"/29"	49"/31"
Overall width	32.25"	32.25"
Seat width	22.75"	22.75"
Seat height/depth	24.5"/20.5"	24.5"/20.5"
Arm height (from floor, highest point)	29"	29"
Upright overall depth (with handle)	43"	44"
Dual thermoplastic casters (diameter)	4"	4"
Clean & simple vanity panel style	✓	✓
Embossed vanity panel style	✓	✓
Two-tone vanity panel style	✓	✓
Tuxedo style		✓

*Measured with two black fold-away tables and without arm caps. Two black fold-away tables add no additional width when folded down.

alō (XL)

SPECIFICATIONS*

	A 620/62P	B 64P
Weight capacity	500 lbs.	500 lbs.
Back style	Straight	Wingback
Back height (from floor/seat)	48"/30"	49"/31"
Overall width	36"	36"
Seat width	26.75"	26.75"
Seat height/depth	24.5"/20.5"	24.5"/20.5"
Arm height (from floor, highest point)	29"	29"
Upright overall depth (with handle)	43"	44"
Dual thermoplastic casters (diameter)	4"	4"
Clean & simple vanity panel style	✓	✓
Embossed vanity panel style	✓	✓
Two-tone vanity panel style	✓	✓
Tuxedo style		✓

SPACE REQUIREMENTS*

	A 620/62P	B 64P
TOP VIEW		
Depth/Width	43"/36"	44"/36"
With swing-away arms	94"	94"
FRONT VIEW		
Height	48"	49"
Tables Down Width	36"	36"
Tables Up Width	56"	56"
SIDE VIEW		
Upright Depth	43"	44"
Trendelenburg Depth	76"	77"

Information contained in this literature is based on the latest product data available at the time of printing. Swatches are enlarged to show detail. Photography, artwork, text and specifications are subject to change. Photography may show optional items. Due to photographic and printing processes, product colors in this brochure are not necessarily accurate. Champion Manufacturing Inc. reserves the right to make changes to colors, materials, prices, standards, options, equipment and any specification at any time without notice or obligation. Contact Champion direct for additional information and the latest specifications.

CHAMPION™

Quality Healthcare Seating Products

Concord Series

MEDICAL RECLINER

RATED UP TO 275 LBS.

Part #220 MANUAL RECLINER



ARMS
OPEN
180°

Shown with optional cupholder.



Swing-away arms make transferring easier.



The trendelenburg position is a standard feature, as well as an all steel, powder-coated frame for durability.

STANDARD FEATURES

Swing-away arms

Trendelenburg

Three-position recliner

Fold-away side table (one)

Push handle

3" thermoplastic casters

The Concord treatment recliner features a user-friendly, push-back reclining mechanism, allowing patients to easily adjust to three positions. Trendelenburg comes standard with a convenient foot-release actuator on both sides. With many standard features, the Concord also offers a great value in a versatile recliner. The Concord is ideal for use in oncology, surgery centers, dialysis, infusion therapies, patient rooms and other treatment needs.

Foot-release
trendelenburg



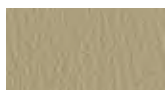
Push handle



Front-locking
casters



STANDARD VINYL SELECTION



Natural
T09



Aquamarine
T19



Bonnie Blue
T21



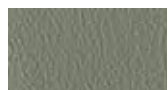
Iced Mint
T26



Tearose
T43



Colonial Blue
T45



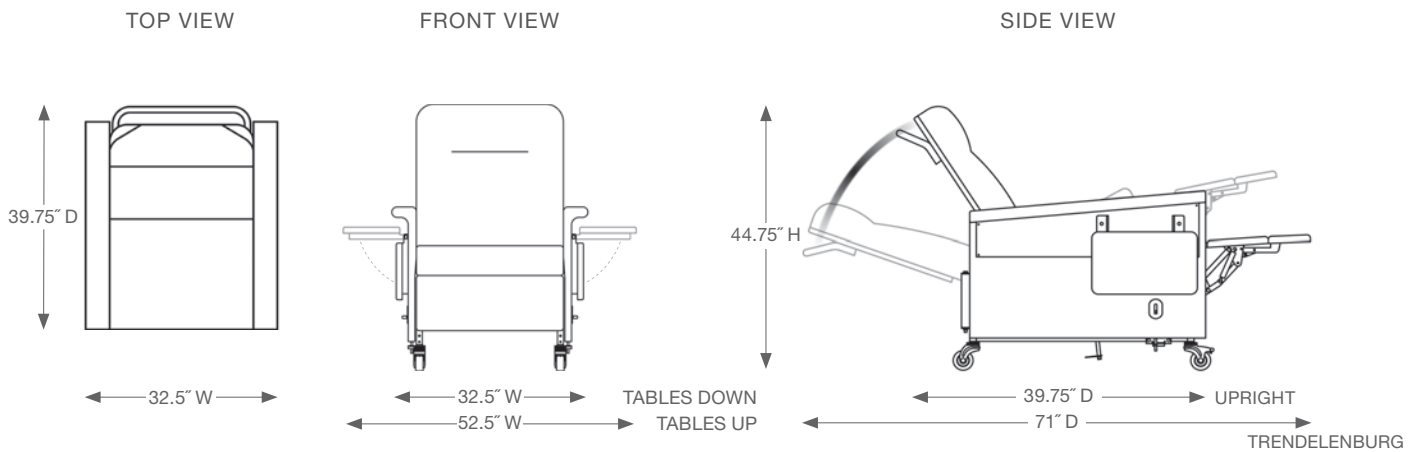
Gray
T56



Cranberry
T96

Printed color swatches may not be an exact match to actual fabrics and are enlarged to show detail.

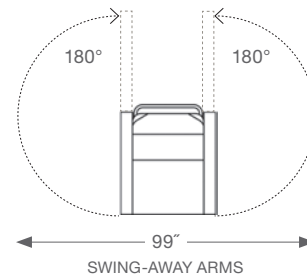
SPACE REQUIREMENTS



SPECIFICATIONS

Weight capacity	275 lbs.
Back height (from floor/seat)	44.75"/27.75"
Overall width (2 tables down/up)	32.5"/52.5"
Seat width	24.75"
Arm height (from floor, front/back)	27.5"/24.375"
Seat height/depth	21"/19"
Upright overall depth (w/handle)	39.75"
Trendelenburg depth	71"
Thermoplastic casters	3"

TOP VIEW WITH SWING-AWAY ARMS



OPTIONS

Additional fold-away side table (S7)

Cupholder – on all tables (C), on one of two tables, specify (CUP-HOLDER L) or (CUP-HOLDER R)

CAL 133 fire barrier (3)*

Vinyl upgrades

Champion, non-standard vinyl (NSV)**

Customer's own material (COM)

PVC-free material

Antimicrobial material

* Contact Champion for a list of fire-tested vinyls.

**For available patterns and colors for non-standard vinyl, please contact your Champion sales representative.



CUPHOLDER



VINYL UPGRADES

ACCESSORIES

Provide your patient the best care and comfort with cupholders, head pillow/lumbar support, cushion wedge, arm covers, LED reading light, IV pole/bracket or an oxygen tank holder. For a complete list of our

accessories, please see our *Accessories* brochure or ask your Champion sales representative for more information.

CHAMPION™

Champion Manufacturing, Inc.
2601 Industrial Parkway, Elkhart, IN 46516

1.800.998.5018
www.championchair.com



CHAMPION™
HEALTH. CARING. CHAIR.

Continuum

MEDICAL RECLINER/SLEEPER CHAIR

RATED UP TO 400 LBS.

Part #720 MANUAL RECLINER



Product shown with optional two-tone vinyl upgrade and side table.

The Continuum offers welcome comfort in a style perfect for patient rooms or any treatment center where patient transport isn't needed. Well-sized and roomy for patients up to 400 lbs., the Continuum boasts an infinite-position back rest that lets patients easily control their own comfort and a familiar, lever-driven leg rest, both of which work independently. The left arm swings open 135° for transfer and cleaning. Over-night patients or guests can lay themselves completely flat without staff assistance and sleep comfortably.



Easily converts to flat body position for nocturnal use.



Swing-away arm makes transferring and cleaning easier.

STANDARD FEATURES

Lever activated foot rest and actuation release for back rest

Foot-release Trendelenburg (access from both sides of chair)

Steel, powder-coated frame

3" thermoplastic casters (rear locking)

Swing arm on patient's left side

Quick-release seat

Foot-release Trendelenburg



3" thermoplastic casters



Lever-activated foot rest



CHAMPION SOFT VINYL SELECTION



Wheat
FS12



Oxford Brown
FS13



Wildflower
FS31



Pebble Gray
FS22



Harbor Blue
FS26



Navy Blue
FS17



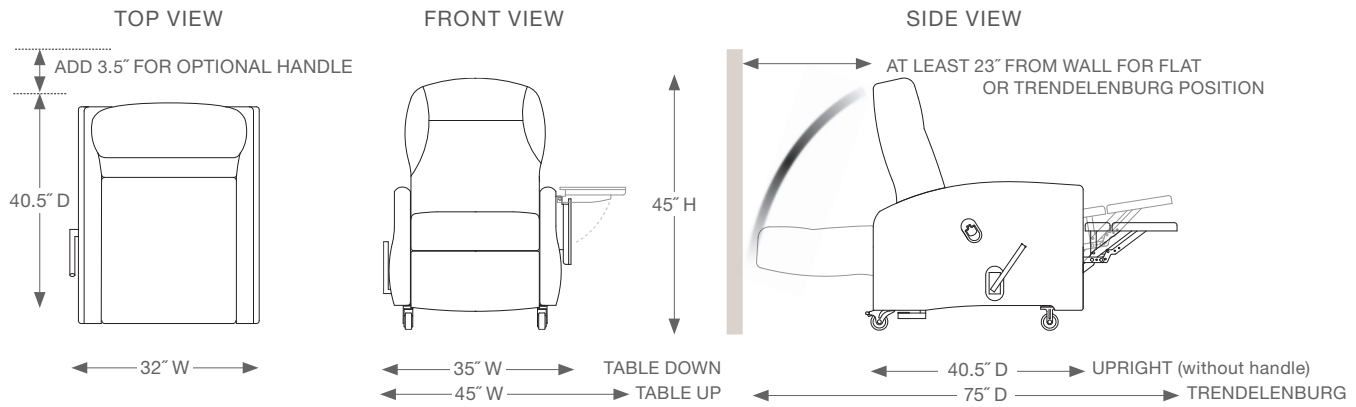
Tapestry Green
FS35



Olive Tree
FS30

Printed color swatches may not be an exact match to actual fabrics and are enlarged to show detail.

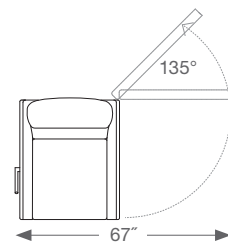
SPACE REQUIREMENTS



SPECIFICATIONS

Weight capacity	400 lbs.
Back height (from floor/seat)	45"/23"
Overall width (no table)	32"
Overall width (table down/up)*	35"/45"
Seat width	23.5"
Arm height (at highest point)	27"
Seat height/depth	22"/24"
Upright overall depth (with/without handle)	44"/40.5"
Thermoplastic casters	3"

TOP VIEW WITH SWING-AWAY ARM



OPTIONS

Push handle (H)
Fold-away side table – Black (FB)
Cupholder (C)
Heat (J)
Heat and massage (JM)
4" rear-locking casters (U)
Central locking casters (O)
Upholstered arm caps (V)
CAL-133 fire barrier (3)** (not available w/two-tone vinyl upgrade)
Vinyl upgrades
Champion graded vinyl selections***
Customer's own material (COM)
PVC-free material

*Measured with arms closed

**Contact Champion for a list of fire-tested vinyls.

***For available patterns and colors for graded vinyl selections, please contact your Champion sales representative.



VINYL UPGRADES



HEAT OR HEAT/MASSAGE



SIDE TABLE WITH CUPHOLDER



UPHOLSTERED ARM CAPS

ACCESSORIES

Available accessories include a LED reading light for nocturnal use, black over-the-lap tray, head pillow, cushion wedge, personal items bag/ hook & push handle cover.

For a complete list of our accessories, please see our Accessories brochure or ask your Champion sales representative for more information.

CHAMPION
 HEALTH. CARING. CHAIR.
 Champion Manufacturing, Inc.
 Elkhart, IN 46516
 1.800.998.5018
 championchair.com

Information contained in this literature is based on the latest product data available at the time of printing. Photography, artwork, text and specifications are subject to change. Photography may show optional items.

Due to photographic and printing processes, product colors in this brochure are not necessarily accurate. Champion Manufacturing, Inc. reserves the right to make changes to colors, materials, prices, standards, options, equipment and any specification at any time without notice or obligation. Contact Champion direct for additional information and the latest specifications.

© 2018 Champion Manufacturing, Inc. Litho in USA CMI-0019 06/18

CHAMPION™

Quality Healthcare Seating Products

Passage MEDICAL RECLINER

RATED UP TO 300 LBS.

Part #PS SWING-AWAY ARM
Part #PF FIXED ARM



Shown with optional side table and cup holder.



Gently curved to cradle patient.

STANDARD FEATURES

Fixed or swing-away arms (depending on model)

Trendelenburg

Three-position mechanism

3" thermoplastic casters (four locking casters)

High-grade polyurethane foam

Soft vinyl (medical grade)

The Passage recliner offers soft, radius lines for a more "at-home feeling" that fits flawlessly in a patient room setting. The Trendelenburg feature comes standard and is unmatched in efficiency and ease of operation. The Passage is ideal for use in oncology, surgery centers, dialysis, infusion therapies, patient rooms, long-term care environments, at-home infusion, other home therapies where patient transport in the recliner is not needed.

Foot-release Trendelenburg



Swing-away arm (PS model only)



Locking casters



CHAMPION SOFT VINYL SELECTION



Wheat
FS12



Oxford Brown
FS13



Wildflower
FS31



Pebble Gray
FS22



Harbor Blue
FS26



Navy Blue
FS17



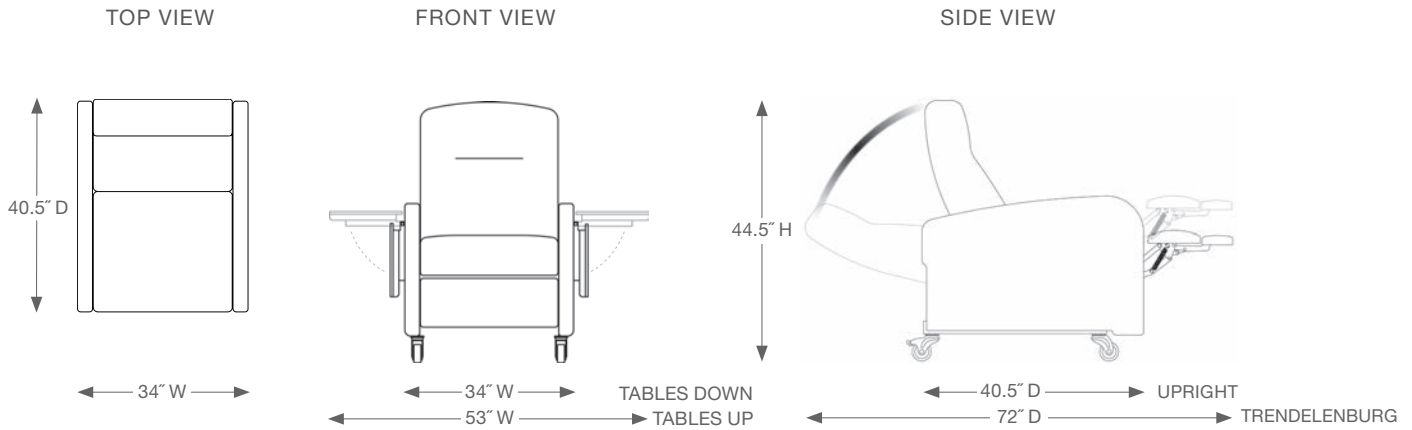
Tapestry Green
FS35



Olive Tree
FS30

Printed color swatches may not be an exact match to actual fabrics and are enlarged to show detail.

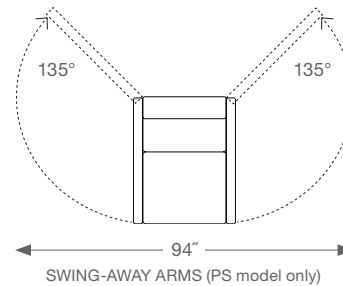
SPACE REQUIREMENTS



SPECIFICATIONS

Weight capacity	300 lbs.
Back height (from floor/seat)	44.5"/26"
Overall width (2 tables down/up)	34"/53"
Seat width	22.5"
Arm height (from floor, front/back)	26.5"/21.5"
Seat height/depth	19.5"/19.5"
Upright overall depth	40.5"
Trendelenburg depth	72"
Thermoplastic casters	3"

TOP VIEW WITH SWING-AWAY ARMS



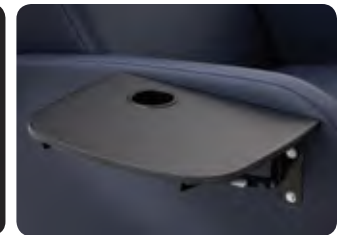
OPTIONS

Push handle (H)
First fold-away side table – Black (FB)
Second fold-away side table – Black (SB)
Wood legs – (WD) (option will add approximately 1/4" to all height measurements of chair)
Cupholder – Patient left (CL), Patient right (CR), or both left and right (C)
Heat
Heat and massage
Upholstered arm caps (V)
CAL 133 fire barrier*
Vinyl upgrades
Champion graded vinyl
Customer's own material (COM)
PVC-free material

*Contact Champion for a list of fire-tested vinyls.



HEAT AND MASSAGE



SIDE TABLE WITH CUPHOLDER (optional)



UPHOLSTERED ARM CAPS



WOOD LEGS

ACCESSORIES

Provide your patient the best care and comfort with an over-the-lap tray, cup holders, head pillow, IV poles or an oxygen tank holder. For a

complete list of our accessories, please see our Accessories brochure or ask your Champion sales representative for more information.

CHAMPION™ Champion Manufacturing, Inc. | 1.800.998.5018
Elkhart, IN 46516 | www.championchair.com

Information contained in this literature is based on the latest product data available at the time of printing. Photography, artwork, text and specifications are subject to change. Photography may show optional items. Due to photographic and printing processes, product colors in this brochure are not necessarily accurate. Champion Manufacturing, Inc. reserves the right to make changes to colors, materials, prices, standards, options, equipment and any specification at any time without notice or obligation. Contact Champion direct for additional information and the latest specifications.

CHAMPION™

Quality Healthcare Seating Products

56 Series

BARIATRIC RECLINER/TRANSPORTER

RATED UP TO 500 LBS.

Part #566 MANUAL RECLINER
Part #56P POWER RECLINER*



Shown with optional second side table and head pillow.

Champion's 56 Series Recliner is generously sized, deeper and wider for patients up to 500 lbs., with a steel frame reinforced to meet the needs of larger patients. Durable five-inch casters roll easily during transport and raise the chair to a comfortable height for staff.

Z-spring construction for greater comfort.



All steel, powder-coated frame for durability.

STANDARD FEATURES

- Stationary arms

- Fold-away side table (one)

- Push handle

- Retractable foot tray

- 5" thermoplastic casters

- Wall-hugger mechanism (infinite recline positions)

- Quick-release seat

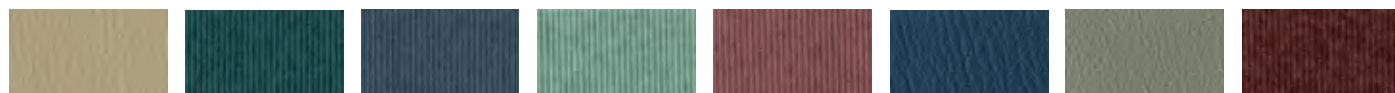
Wall-hugger recline mechanism



Quick-release seat



STANDARD VINYL SELECTION



Natural T09

Aquamarine T19

Bonnie Blue T21

Iced Mint T26

Tearose T43

Colonial Blue T45

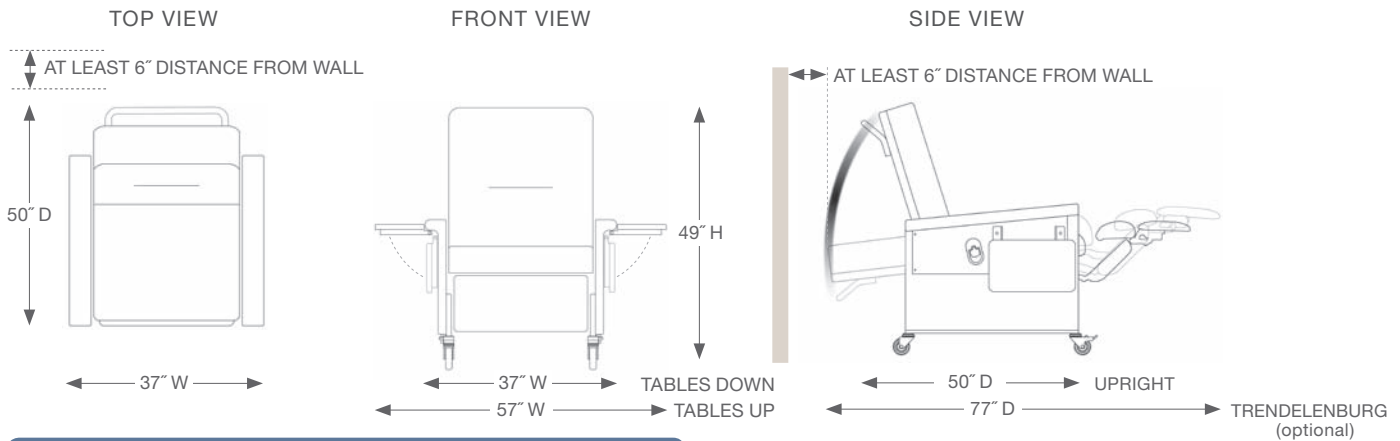
Gray T56

Cranberry T96

Printed color swatches may not be an exact match to actual fabrics and are enlarged to show detail.

*The 56P (without the heat & massage option) is UL 60601-1 certified.

SPACE REQUIREMENTS



SPECIFICATIONS

Weight capacity	500 lbs.
Back height (from floor/seat)	49"/29"
Overall width (2 tables down/up)	37"/57"
Seat width	27.5"
Arm height (from floor, front/back)	30"/27"
Seat height/depth	24"/21"
Upright overall depth (w/handle)	50"
Thermoplastic casters	5"



OPTIONS

Trendelenburg (T)

Break-away arm – Note patient left (L) or right (R) side

Additional fold-away side table (S7) – not available with break-away arm option

Cupholder – on all tables (C), on one of two tables, specify CUP-HOLDER (right or left)

Premium casters – Set of 4 (K)

Heat (J) – (566 manual model only)

Heat and massage (JM)

CAL 133 fire barrier (3)**

Vinyl upgrades

Champion, graded vinyl selections***

Customer's own material (COM)

PVC-free material

Dual-hand control (DUALACT-PWR) – (56P model only)

Battery backup (BATTERY) – (56P model only)

**Contact Champion for a list of fire-tested vinyls.

***For available patterns and colors for graded vinyl selections, please contact your Champion sales representative.



HEAT OR HEAT/MASSAGE



BREAK-AWAY ARM



TRENDLENBURG



VINYL UPGRADES

ACCESSORIES

Provide your patient the best care and comfort with an over-the-lap tray, cup holders, head pillow/lumbar support, cushion wedge/arm support, footrest extender, TV mount, nocturnal sleep pad, side guards, IV poles

or an oxygen tank holder. For a complete list of our accessories, please see our *Accessories* brochure or ask your Champion sales representative for more information.

CHAMPION™

Champion Manufacturing, Inc.
 Elkhart, IN 46516

1.800.998.5018
www.championchair.com

Information contained in this literature is based on the latest product data available at the time of printing. Photography, artwork, text and specifications are subject to change. Photography may show optional items. Due to photographic and printing processes, product colors in this brochure are not necessarily accurate. Champion Manufacturing, Inc. reserves the right to make changes to colors, materials, prices, standards, options, equipment and any specification at any time without notice or obligation. Contact Champion direct for additional information and the latest specifications.

CHAMPION™

Quality Healthcare Seating Products

58 Series

BARIATRIC RELAX RECLINER
RATED UP TO 500 LBS.

Part #586 MANUAL RECLINER
Part #58P POWER RECLINER*



Shown with optional side tables.



Z-spring construction for greater comfort.

All steel, powder-coated frame for durability.**

STANDARD FEATURES

Stationary arms

3" dual steel casters

Wall-hugger recline mechanism (infinite recline positions)

Quick-release seat

The 58 Series Relax Recliner is a cost-effective, versatile choice in patient seating when patient transport is not needed. Start with basic recliner and choose only the features required for your specific treatment therapies. Sized for patients up to 500 lbs, the 58 Series offers durable three-inch dual steel casters and a reinforced steel frame for larger patients.

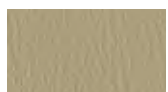
Wall-hugger recline mechanism



Quick-release seat



STANDARD VINYL SELECTION



Natural
T09



Aquamarine
T19



Bonnie Blue
T21



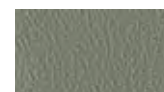
Iced Mint
T26



Tearose
T43



Colonial Blue
T45



Gray
T56



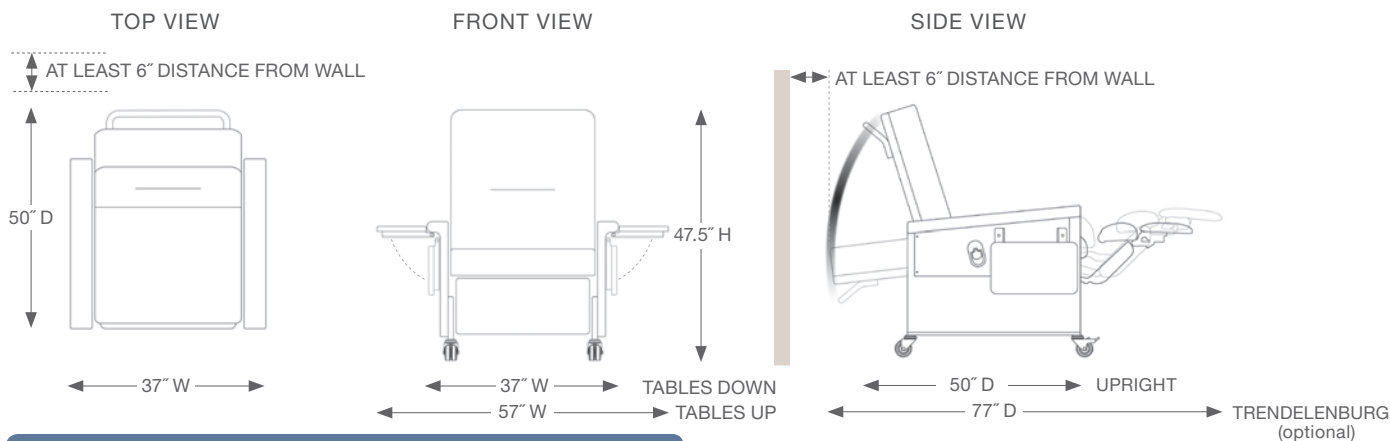
Cranberry
T96

Printed color swatches may not be an exact match to actual fabrics and are enlarged to show detail.

*The 58P (without the heat & massage option) is UL 60601-1 certified.

**Retractable foot tray and five-inch casters do not come with the 58 Series, but can be added as an option.

SPACE REQUIREMENTS



SPECIFICATIONS

Weight capacity	500 lbs.
Back height (from floor/seat)	47.5"/29"
Overall width (2 tables down/up)	37"/57"
Seat width	27.5"
Arm height (from floor, front/back)	28.5"/25.5"
Seat height/depth	22.5"/21"
Upright overall depth (w/handle)	50"
Steel casters (dual)	3"



OPTIONS

Trendelenburg (T)

Break-away arm – Note patient left (L) or right (R) side

Additional fold-away side table (S7) – not available with break-away arm option

Cupholder – on all tables (C), on one of two tables, specify CUP-HOLDER (right or left)

Premium casters – Set of 4 (K)

Heat (J) – (586 manual model only)

Heat and massage (JM) – (586 model only)

Heat and massage (I) – (58P model only)

CAL 133 fire barrier (3)**

Vinyl upgrades

Champion, graded vinyl selections***

Customer's own material (COM)

PVC-free material

Dual-hand control (DUALACT-PWR) – (56P model only)

Battery backup (BATTERY) – (56P model only)

**Contact Champion for a list of fire-tested vinyls.

***For available patterns and colors for graded vinyl selections, please contact your Champion sales representative.



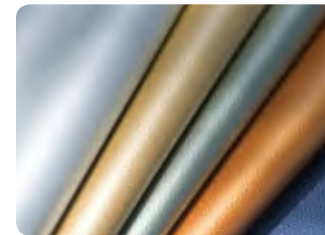
HEAT OR HEAT/MASSAGE



BREAK-AWAY ARM



TRENDLENBURG**



VINYL UPGRADES

ACCESSORIES

Provide your patient the best care and comfort with an over-the-lap tray, cup holders, head pillow/lumbar support, cushion wedge/arm support, footrest extender, TV mount, nocturnal sleep pad, side guards, IV poles

or an oxygen tank holder. For a complete list of our accessories, please see our Accessories brochure or ask your Champion sales representative for more information.

CHAMPION™ Champion Manufacturing, Inc. | 1.800.998.5018
 Elkhart, IN 46516 | www.championchair.com

Information contained in this literature is based on the latest product data available at the time of printing. Photography, artwork, text and specifications are subject to change. Photography may show optional items. Due to photographic and printing processes, product colors in this brochure are not necessarily accurate. Champion Manufacturing, Inc. reserves the right to make changes to colors, materials, prices, standards, options, equipment and any specification at any time without notice or obligation. Contact Champion direct for additional information and the latest specifications.

CHAMPION™

Quality Healthcare Seating Products

86 Series

BARIATRIC RECLINER/TRANSPORTER

RATED UP TO 500 LBS.

Part #868 MANUAL RECLINER
Part #86P POWER RECLINER*



Shown with optional second side table.

Champion's 86 Series Recliner is generously sized, deeper and wider for patients up to 500 lbs. with a steel frame reinforced to meet the needs of larger patients. Standard swing-arms provide versatility, easy cleaning, efficient maintenance and lateral patient transfers. Durable five-inch casters roll easily during transport and raise the chair to a comfortable height for staff.

Z-spring construction for greater comfort.

All steel, powder-coated frame for durability.



Swing-away arms for easy patient transfers.



STANDARD FEATURES

- Swing-away arms

- Fold-away side table (one)

- Push handle

- Retractable foot tray

- 5" thermoplastic casters

- Wall-hugger mechanism (infinite recline positions)

- Quick-release seat

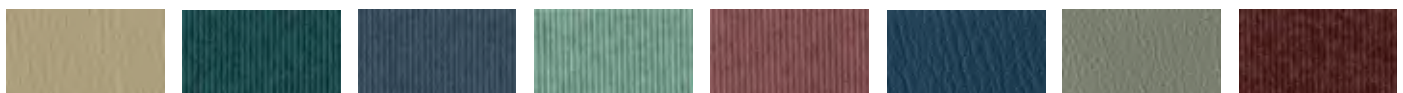
Wall-hugger recline mechanism



Quick-release seat



STANDARD VINYL SELECTION



Natural
T09

Aquamarine
T19

Bonnie Blue
T21

Iced Mint
T26

Tearose
T43

Colonial Blue
T45

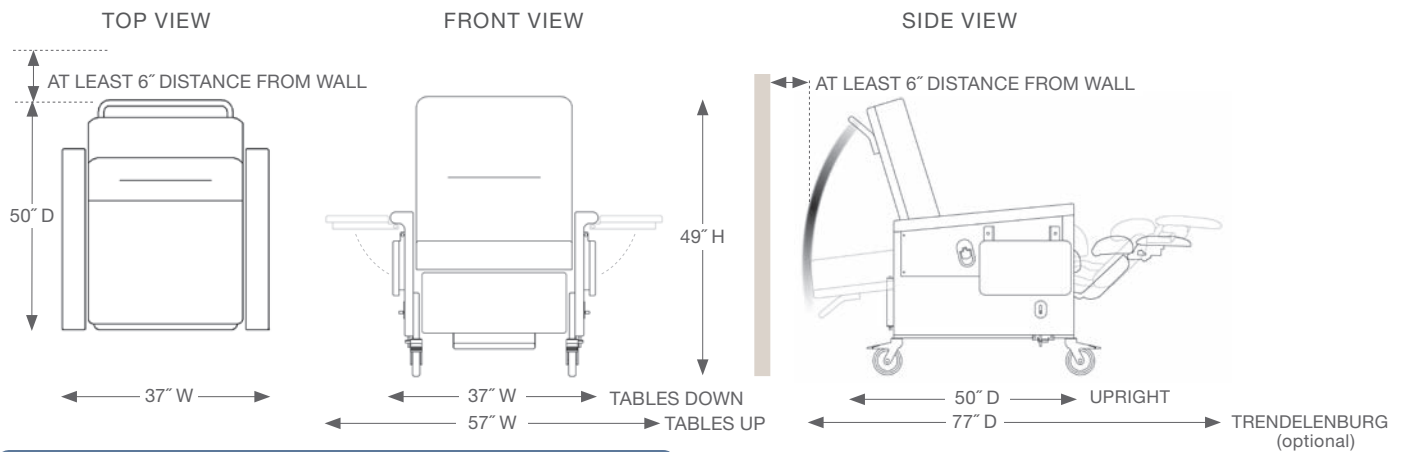
Gray
T56

Cranberry
T96

Printed color swatches may not be an exact match to actual fabrics and are enlarged to show detail.

*The 86P (without the heat & massage option) is UL 60601-1 certified.

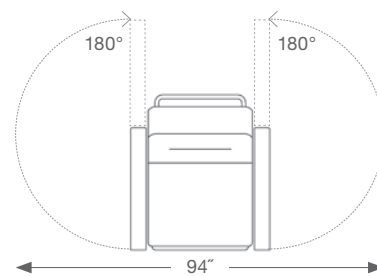
SPACE REQUIREMENTS



SPECIFICATIONS

Weight capacity	500 lbs.
Back height (from floor/seat)	49"/29"
Overall width (2 tables down/up)**	37"/57"
Seat width	27.5"
Arm height (from floor, front/back)	30"/27"
Seat height/depth	24"/21"
Upright overall depth (w/handle)	50"
Thermoplastic casters	5"

TOP VIEW WITH SWING-AWAY ARMS



OPTIONS

Trendelenburg (T)

Additional fold-away side table (S7)

Cupholder – on all tables (C), on one of two tables, specify CUP-HOLDER (right or left)

Premium casters – Set of 4 (K)

Heat (J) – (868 manual model only)

Heat and massage (JM)

CAL 133 fire barrier (3)***

Vinyl upgrades

Champion, graded vinyl selections****

Customer's own material (COM)

PVC-free material

Dual-hand control (DUALACT-PWR) – (86P model only)

Battery backup (BATTERY) – (86P model only)

**Measured with both arms closed.

***Contact Champion for a list of fire-tested vinyls.

****For available patterns and colors for graded vinyl selections, please contact your Champion sales representative.



HEAT OR HEAT/MASSAGE



VINYL UPGRADES



TRENDELENBURG

ACCESSORIES

Provide your patient the best care and comfort with an over-the-lap tray, cup holders, head pillow/lumbar support, cushion wedge/arm support, footrest extender, TV mount, nocturnal sleep pad, side guards, IV poles

or an oxygen tank holder. For a complete list of our accessories, please see our *Accessories* brochure or ask your Champion sales representative for more information.

CHAMPION™ Champion Manufacturing, Inc. | 1.800.998.5018
Elkhart, IN 46516 | www.championchair.com

Information contained in this literature is based on the latest product data available at the time of printing. Photography, artwork, text and specifications are subject to change. Photography may show optional items. Due to photographic and printing processes, product colors in this brochure are not necessarily accurate. Champion Manufacturing, Inc. reserves the right to make changes to colors, materials, prices, standards, options, equipment and any specification at any time without notice or obligation. Contact Champion direct for additional information and the latest specifications.

© 2013 Champion Manufacturing, Inc. Litho in USA CM-266 06/13

CHAMPION™

Quality Healthcare Seating Products

Ascent XL

BARIATRIC RECLINER/TRANSPORTER

RATED UP TO 500 LBS.

Part #660 MANUAL RECLINER
Part #66P POWER RECLINER



The Ascent XL Bariatric Recliner is ruggedly built like our classic recliners, with added style and elegance. Gently contoured lines enhance its profile while comforting patients up to 500 lbs. Standard swing-arms provide easy cleaning, maintenance and patient transfer. Four-inch, twin wheel casters are corrosion resistant and roll with ease.

Z-spring construction for greater comfort.



STANDARD FEATURES

- Swing-away arms
- Fold-away side table (one)
- Push handle
- Retractable foot tray
- 4" twin wheel casters
- Wall-hugger mechanism (infinite recline positions)
- Quick-release seat

Twin wheel casters



Wall-hugger recline mechanism



Quick-release seat

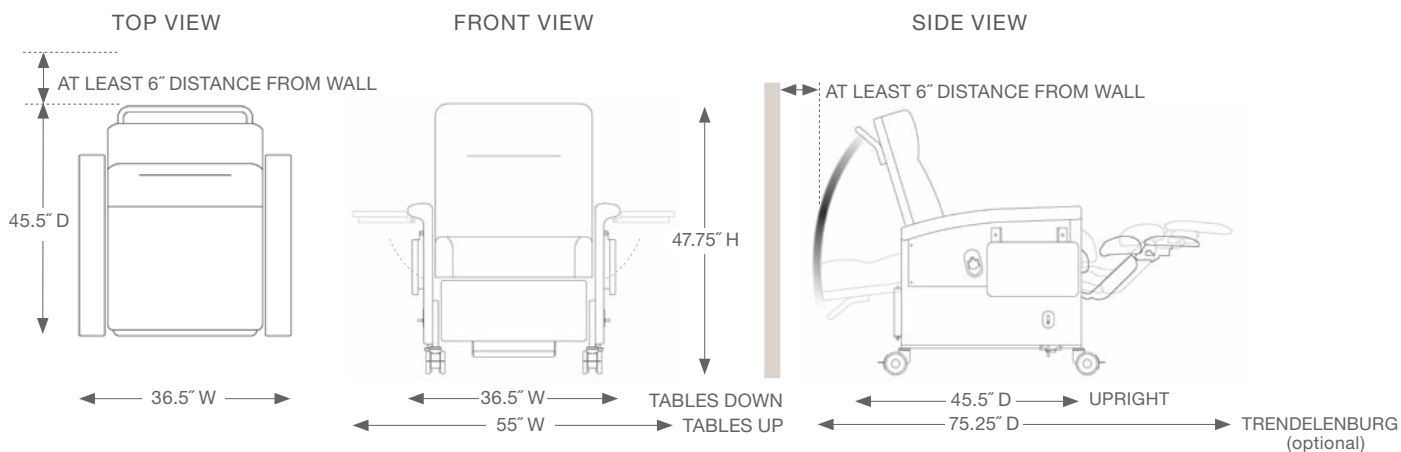


STANDARD VINYL SELECTION



Printed color swatches may not be an exact match to actual fabrics and are enlarged to show detail.

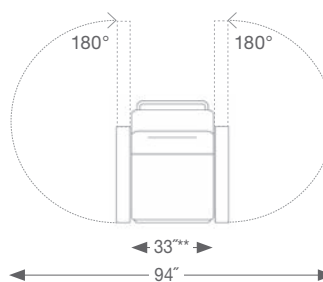
SPACE REQUIREMENTS



SPECIFICATIONS

Weight capacity	500 lbs.
Back height (from floor/seat)	47.75"/27"
Overall width (2 tables down/up)*	36.5"/55"
Seat width	27.5"
Arm height (from floor, front/back)	29"/26"
Seat height/depth	24.5"/21"
Upright overall depth (w/handle)	45.5"
Twin wheel casters	4"

TOP VIEW WITH SWING-AWAY ARMS



OPTIONS

Trendelenburg (T)
Additional fold-away side table (S7)
Arm cap – (E)
Cupholder – on all tables (C), on one of two tables, specify CUP-HOLDER (right or left)
Heat (J) – (660 manual model only)
Heat and massage (JM)
CAL 133 fire barrier (3)***
Vinyl upgrades Champion, graded vinyl selections**** Customer's own material (COM) PVC-free material
Dual-hand control (DUALACT-PWR) – (66P model only)
Battery backup (BATTERY) – (66P model only)

*Measured with both arms closed.

**With arms swung open, width of chair is 33".

***Contact Champion for a list of fire-tested vinyls.

****For available patterns and colors for graded vinyl selections, please contact your Champion sales representative.



HEAT OR HEAT/MASSAGE



VINYL UPGRADES



TRENDELENBURG



ARM CAP

ACCESSORIES

Provide your patient the best care and comfort with an over-the-lap tray, cup holders, head pillow/lumbar support, cushion wedge/arm support, footrest extender, TV mount, nocturnal sleep pad, side guards, IV poles

or an oxygen tank holder. For a complete list of our accessories, please see our *Accessories* brochure or ask your Champion sales representative for more information.

CHAMPION™ Champion Manufacturing, Inc. | 1.800.998.5018
Elkhart, IN 46516 | www.championchair.com

Information contained in this literature is based on the latest product data available at the time of printing. Photography, artwork, text and specifications are subject to change. Photography may show optional items. Due to photographic and printing processes, product colors in this brochure are not necessarily accurate. Champion Manufacturing, Inc. reserves the right to make changes to colors, materials, prices, standards, options, equipment and any specification at any time without notice or obligation. Contact Champion direct for additional information and the latest specifications.



CHAMPION
HEALTH. CARING. CHAIR.

Ascent II XL

BARIATRIC RECLINER/TRANSPORTER

RATED UP TO 500 LBS.

Part #68P POWER RECLINER



Shown with optional second side table.

Elegant and stylish, the Ascent II XL power recliner puts a new spin on bariatric treatment seating. The curved top-line of the seat back offers additional head room while the “wing-back” design adds style and customization options for designers. Standard features such as a hand-held remote for ease of recline positioning, swing-away arms, a removable seat and four-inch twin wheel casters offer a wide range of benefits for the patient, caregiver and technician.



Hand-held remote for ease of recline positioning.

Z-spring construction for greater comfort.

All steel, powder-coated frame for durability.



STANDARD FEATURES

- Hand-held remote
- Swing-away arms
- Fold-away side table (one)
- Push handle
- Retractable foot tray
- 4" twin wheel casters
- Wall-hugger mechanism (infinite recline positions)
- Quick-release seat

4" twin wheel casters



Wall-hugger recline mechanism



Quick-release seat



STANDARD VINYL SELECTION



Natural
T09



Aquamarine
T19



Bonnie Blue
T21



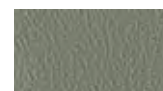
Iced Mint
T26



Tearose
T43



Colonial Blue
T45



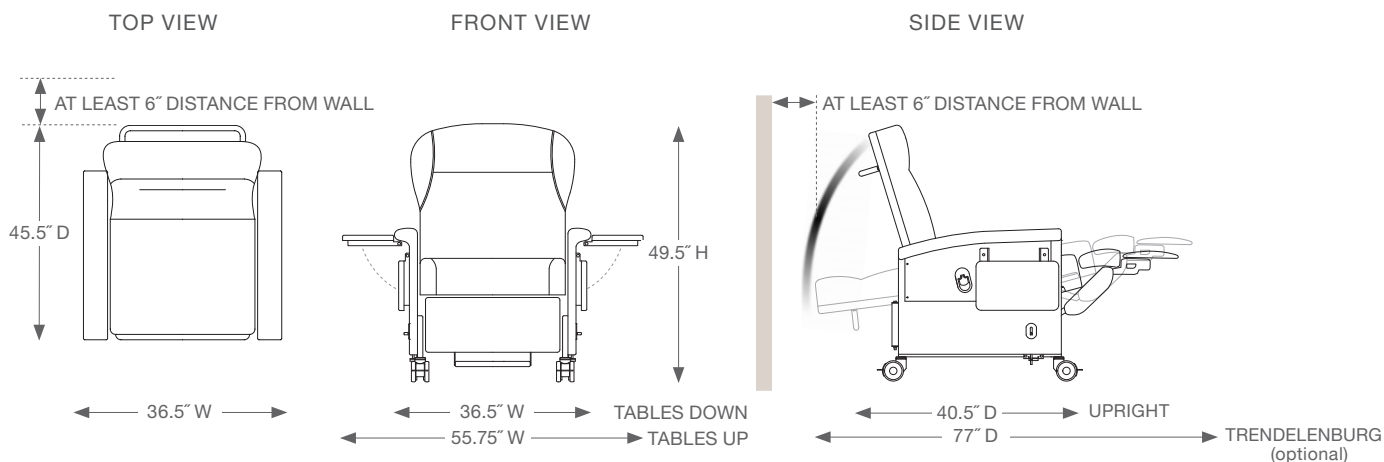
Gray
T56



Cranberry
T96

Printed color swatches may not be an exact match to actual fabrics and are enlarged to show detail.

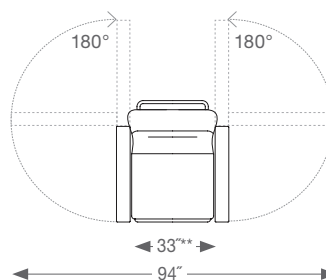
SPACE REQUIREMENTS



SPECIFICATIONS

Weight capacity	500 lbs.
Back height (from floor/seat)	49.5"/29.75"
Overall width (2 tables down/up)*	36.5"/55.75"
Seat width	27.5"
Arm height (from floor, front/back)	29"/26"
Seat height/depth	24.5"/21"
Upright overall depth (w/handle)	40.5"
Twin wheel casters	4"

TOP VIEW WITH SWING-AWAY ARMS



OPTIONS

Trendelenburg (T)

Additional fold-away side table (S7)

Arm cap (E)

Central locking casters (O)

Cupholder – on all tables (C), on one of two tables, specify CUP-HOLDER (right or left)

Heat and massage (I)

Cal 133 fire barrier (3)***

Vinyl upgrades

Champion, graded vinyl selections****

Customer's own material (COM)

PVC-free material

Dual-hand control (DUALACT-PWR)

Battery backup (BATTERY)

*Measured with both arms closed.

**With arms swung open, width of chair is 33".

***Contact Champion for a list of fire-tested vinyls.

****For available patterns and colors for graded vinyl selections, please contact your Champion sales representative.



HEAT/MASSAGE



VINYL UPGRADES



TRENDELENBURG



ARMS CAP

ACCESSORIES

Provide your patient the best care and comfort with an over-the-lap tray, cup holders, head pillow/lumbar support, cushion wedge/arm support, footrest extender, TV mount, nocturnal sleep pad, side guards, IV poles

or an oxygen tank holder. For a complete list of our accessories, please see our *Accessories* brochure or ask your Champion sales representative for more information.

CHAMPION®

Champion Manufacturing Inc.
Elkhart, IN 46516

1.800.998.5018
championchair.com

Information contained in this literature is based on the latest product data available at the time of printing. Photography, artwork, text and specifications are subject to change. Photography may show optional items. Due to photographic and printing processes, product colors in this brochure are not necessarily accurate. Champion Manufacturing Inc. reserves the right to make changes to colors, materials, prices, standards, options, equipment and any specification at any time without notice or obligation. Contact Champion direct for additional information and the latest specifications.



CHAMPION[®]
HEALTH. CARING. CHAIR.

Elevate

MULTI-PURPOSE HEALTHCARE CHAIR
RATED UP TO 440 LBS.

Part #ELV8



Advanced fully-powered healthcare chair with vertical height adjustment.

This unique, fully-powered infusion chair is the newest evolution in patient seating. Complete with popular features requested by our customers, the Elevate responds to the desires and needs of caregivers and customers alike.

The lower seat height allows for easy entrance from the front of the chair, while moveable arms facilitate entry from the side as well as ease of lateral patient transfer. Vertical height adjustment is key for caregivers and the hand-held remote allows for ease of positioning, while the smaller footprint saves crucial floor space.

Additional clinical features of this chair also include an emergency foot switch for the Trendelenburg position, a central locking caster system, and battery backup.



Trendelenburg Positioning

Twelve degree, flat-body Trendelenburg with two different methods to engage the position: a red emergency button on the remote, and two red buttons on the base.



Articulating Arms

The wide, soft, and contoured armrests are designed for easy IV access and maximum patient comfort.



Powered Vertical Lift

The advantages of setting chair height for specific needs makes this chair truly multi-functional.



Automatic Positioning

Easy access into the Trendelenburg position with the tap of a button. Foot pedals lock or unlock casters efficiently.



Electronic Adjustments

Multiple independent adjustment controls offer ease of positioning for medical staff, including the back rest, seat tilt, leg rest and seat height.

CHAMPION SOFT VINYL SELECTION



Wheat
FS12



Oxford Brown
FS13



Wildflower
FS31



Pebble Gray
FS22



Harbor Blue
FS26



Navy Blue
FS17



Tapestry Green
FS35



Olive Tree
FS30

Printed color swatches may not be an exact match to actual fabrics and are enlarged to show detail.

Elevate MULTI-PURPOSE HEALTHCARE CHAIR



ACCESSORIES/OPTIONS



Multifunctional Table



USB Charging Unit



Tablet/Smartphone Holder



IV Pole (4 Prong)

SPECIFICATIONS

Seat height adjustment	21.75" - 27.75"
Backrest articulation	10° - 90°
Seat title adjustment	0° - 15°
Leg rest adjustment	8° - 90°
Dimensions in seat position	L 38.9" x W 34" x H 54.7"
Size of upholstery	L 76.7" x W 21.6" x H 3"
Armrest size	L 23.6" x W 5.9"
Caster size	3" twin-wheel casters
Weight of chair	132 lbs.
Maximum patient load	440 lbs. weight capacity

STANDARD FEATURES

Trendelenburg (lay flat, 12° position) foot button or handset control
Rechargeable battery back-up
Motorized height adjustment
Central locking brake system (w/3" twin wheel casters)
Articulating armrest for ease of patient transfer
Adjustable head pillow

OPTIONS

Push Bar
Universal holder for tablets and smart phones
USB charging unit
Transparent plastic cover for leg rest
Comfort-T2 Multifunctional table
IV Pole (4-prong)



HEALTH. CARING. CHAIR.

Champion Manufacturing Inc.
Elkhart, IN 46516

1.800.998.5018
championchair.com

Information contained in this literature is based on the latest product data available at the time of printing. Photography, artwork, text and specifications are subject to change. Photography may show optional items. Due to photographic and printing processes, product colors in this brochure are not necessarily accurate. Champion Manufacturing Inc. reserves the right to make changes to colors, materials, prices, standards, options, equipment and any specification at any time without notice or obligation. Contact Champion direct for additional information and the latest specifications.

© 2018 Champion Manufacturing Inc. Litho in USA CMI-0049, REV 01 12/18



CHAMPION™
HEALTH. CARING. CHAIR.

526 Series

CLASSIC OVERNIGHTER CHAIR

RATED UP TO 300 LBS.

Part #526



Shown with optional oak armrests.



Three positions available for optimal function and comfort.

The open-concept design of the Classic Overnighter provides stylish daytime seating and spacious sleeping for overnight guests. One of our very first products, the Classic Overnighter features time-tested engineering with superior durability for years of use. Medical-grade vinyls clean easily and come in a wide range of colors to match any interior color scheme. Keep loved ones close and comfortable with the Classic Overnighter.

STANDARD FEATURES

- Three positions
- Steel and wood construction
- Caster wheels (rear locking)
- Open design to allow for body mobility

Caster wheels for easy conversion



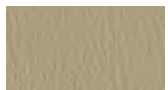
Z-spring construction



Open-concept design



STANDARD VINYL SELECTION



Natural
T09



Aquamarine
T19



Bonnie Blue
T21



Iced Mint
T26



Tearose
T43



Colonial Blue
T45



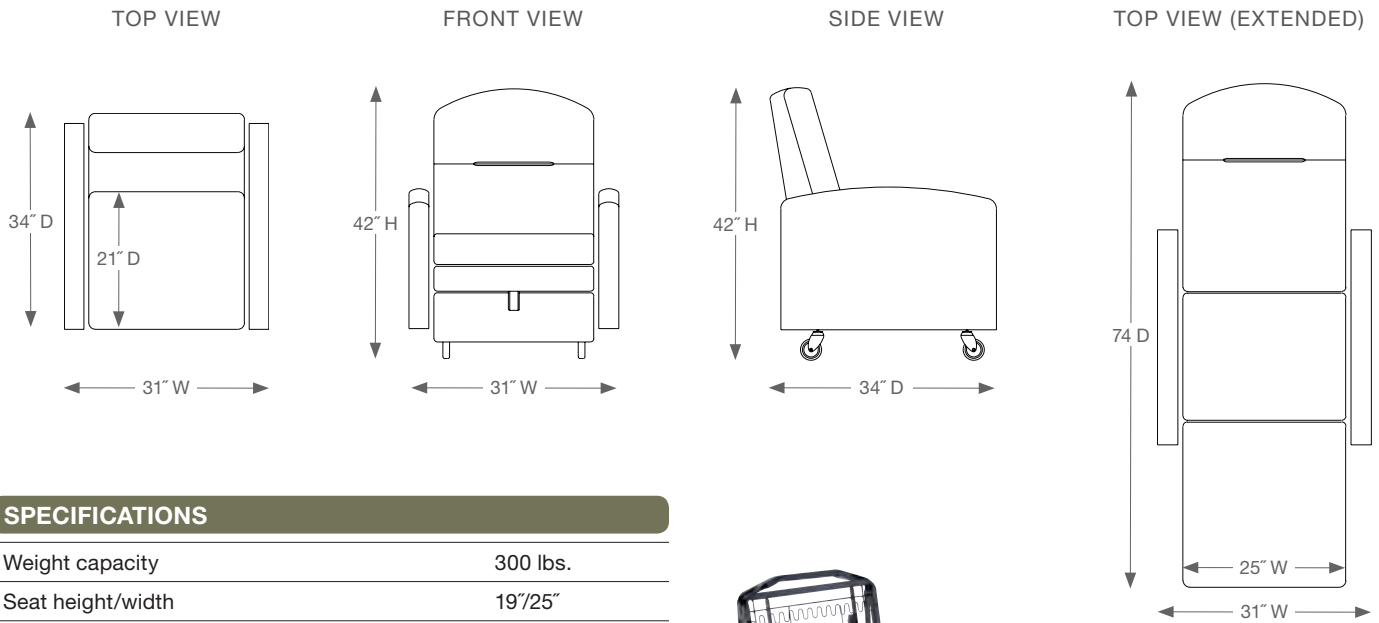
Gray
T56



Cranberry
T96

Printed color swatches may not be an exact match to actual fabrics and are enlarged to show detail.

SPACE REQUIREMENTS



SPECIFICATIONS

Weight capacity	300 lbs.
Seat height/width	19"/25"
Seat depth	21"
Arm width	2.5"
Overall height	42"
Overall width	31"
Overall length (seated position)	34"
Overall length (sleep position)	74"
Optional wood arm cap width	3"



Steel frame components are powdered-coated to resist corrosion.

OPTIONS

Oak armrests (2)

CAL 133 fire barrier (3)*

Vinyl upgrades

Champion, graded vinyl selections**

Customer's own material (COM)

PVC-free material

*Contact Champion for a list of fire-tested vinyls.

**For available patterns and colors for graded vinyl selections, please contact your Champion sales representative.



OAK ARMRESTS



VINYL UPGRADES

CHAMPION
HEALTH. CARING. CHAIR.
Champion Manufacturing, Inc.
Elkhart, IN 46516
1.800.998.5018
championchair.com

Information contained in this literature is based on the latest product data available at the time of printing. Photography, artwork, text and specifications are subject to change. Photography may show optional items. Due to photographic and printing processes, product colors in this brochure are not necessarily accurate. Champion Manufacturing, Inc. reserves the right to make changes to colors, materials, prices, standards, options, equipment and any specification at any time without notice or obligation. Contact Champion direct for additional information and the latest specifications.

© 2017 Champion Manufacturing, Inc. Litho in USA CMI-0026 12/17



527 Series

OVERNIGHTER LOVESEAT

RATED UP TO 300 LBS. (EACH SIDE)

Part # 527



Shown with optional oak armrests.

Designed for patient rooms and areas where overnight visitors are welcome, Champion's Overnighter Loveseat provides daytime seating and overnight sleeping for visitors. The Overnighter loveseat is comfortable, durable and easy to open and close. It offers nine relaxing positions from upright to flat and independent controls allow for independent use of chair functions. Promote a healing environment for patients by keeping loved ones nearby and comfortable.



Independent operating sides provide versatile seating/sleeping positions.



STANDARD FEATURES

Nine positions

Independent operations for both sides

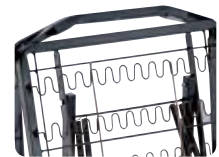
Steel and wood construction

Caster wheels (rear locking)

Caster wheels for easy conversion



Z-spring construction



STANDARD VINYL SELECTION



Natural T09



Aquamarine T19



Bonnie Blue T21



Iced Mint T26



Tearose T43



Colonial Blue T45



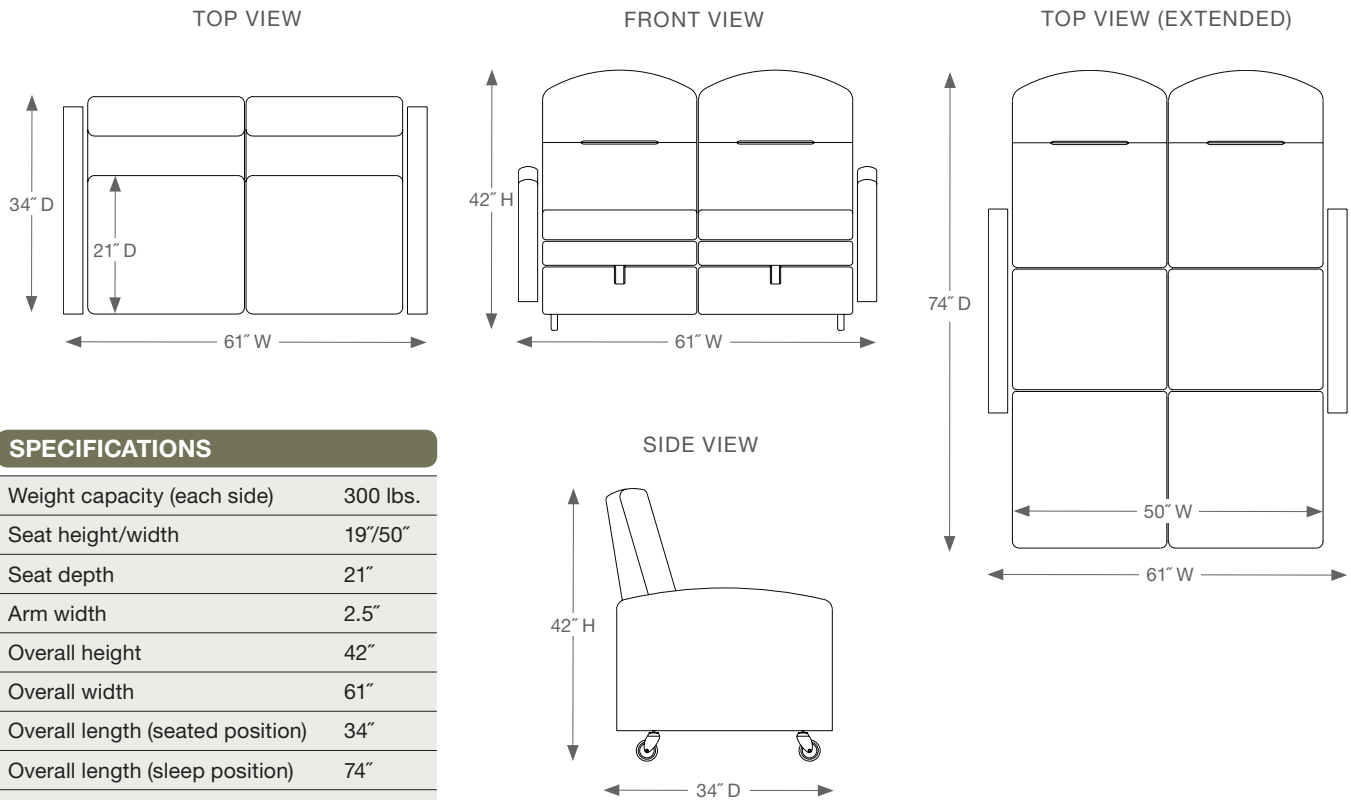
Gray T56



Cranberry T96

Printed color swatches may not be an exact match to actual fabrics and are enlarged to show detail.

SPACE REQUIREMENTS



SPECIFICATIONS

Weight capacity (each side)	300 lbs.
Seat height/width	19"/50"
Seat depth	21"
Arm width	2.5"
Overall height	42"
Overall width	61"
Overall length (seated position)	34"
Overall length (sleep position)	74"
Optional wood arm cap width	3"

MULTIPLE POSITIONS ALLOW FOR OPTIMAL COMFORT



OPTIONS

Oak armrests (2)

CAL 133 fire barrier (3)*

Vinyl upgrades

Champion, graded vinyl selections**

Customer's own material (COM)

PVC-free material

*Contact Champion for a list of fire-tested vinyls.

**For available patterns and colors for graded vinyl selections, please contact your Champion sales representative.



OAK ARMRESTS



VINYL UPGRADES

CHAMPION
 HEALTH. CARING. CHAIR.
 Champion Manufacturing, Inc.
 Elkhart, IN 46516
 1.800.998.5018
 championchair.com

Information contained in this literature is based on the latest product data available at the time of printing. Photography, artwork, text and specifications are subject to change. Photography may show optional items. Due to photographic and printing processes, product colors in this brochure are not necessarily accurate. Champion Manufacturing, Inc. reserves the right to make changes to colors, materials, prices, standards, options, equipment and any specification at any time without notice or obligation. Contact Champion direct for additional information and the latest specifications.

© 2017 Champion Manufacturing, Inc. Litho in USA CMI-0021 06/18



Clinical Stools

CAREGIVER SEATING
RATED UP TO 300 LBS.

Part #507

Part #509



507 Series



509 Series

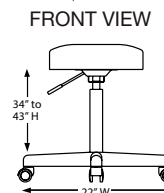
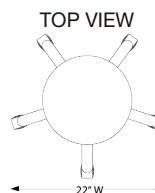
Champion's Caregiver Clinic stools are all-purpose seats to meet your exact needs. All stools offer a pneumatic cylinder for easily adjustable height options along with either a composite or polished aluminum base. Three and a half inch foam padding, a 15-inch seat and sealed seams provide caregivers with comfort and durability. Optional backrests are available on all clinic stools. Available in a wide range of standard and up-graded vinyls, they can be designed to compliment any interior.

STANDARD FEATURES

SERIES #	507	509
Adjustable seat - hand lever	•	
Adjustable seat - foot ring		•
Mounts on a 22" pedestal	•	•
Composite base	•	
Polished aluminum base		•

SPECIFICATIONS

SERIES #	507	509
Weight Capacity	300 lbs.	300 lbs.
Overall width — wheel base	22"	22"
Overall height — with backrest	34"-43"	34-43"
Seat width	15"	15"
Seat height — adjustable	21-28"	21-28"



OPTIONS

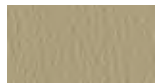
- Backrest (B)
- 5 - brake casters (5BR)
- Glides (G) - available on 507 model only
- Vinyl upgrades
 - Champion, graded vinyl selection*
 - Customer's own material (COM)
 - PVC-free material

*For available patterns and colors please contact your Champion sales representative.



BACKREST
(shown on 509)

STANDARD VINYL SELECTION



Natural
T09



Aquamarine
T19



Bonnie Blue
T21



Iced Mint
T26



Tearose
T43



Colonial Blue
T45



Gray
T56



Cranberry
T96

Printed color swatches may not be an exact match to actual fabrics and are enlarged to show detail.

CHAMPION
HEALTH. CARING. CHAIR.
Champion Manufacturing, Inc.
Elkhart, IN 46516
1.800.998.5018
championchair.com

Information contained in this literature is based on the latest product data available at the time of printing. Photography, artwork, text and specifications are subject to change. Photography may show optional items. Due to photographic and printing processes, product colors in this brochure are not necessarily accurate. Champion Manufacturing, Inc. reserves the right to make changes to colors, materials, prices, standards, options, equipment and any specification at any time without notice or obligation. Contact Champion direct for additional information and the latest specifications.

© 2018 Champion Manufacturing, Inc. Litho in USA CMI-0028 04/18



Task Chairs

CAREGIVER SEATING
RATED UP TO 300 LBS.

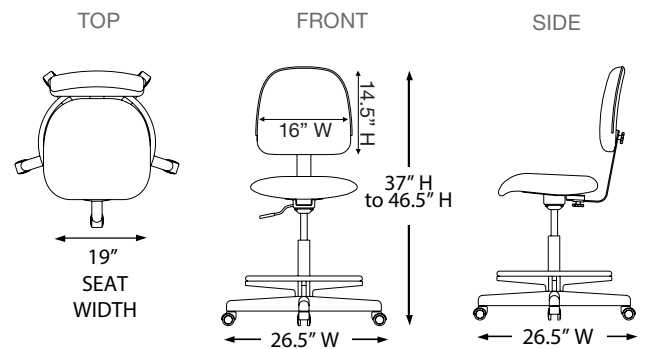
Part #505
Part #506



STANDARD FEATURES

SERIES #	505	506
Adjustable seat	•	•
Mounts on a 25" pedestal	•	•
Protected backrest frame with vinyl bumper	•	•
Footrest ring	•	•
Height-adjustable armrests		•

SPACE REQUIREMENTS



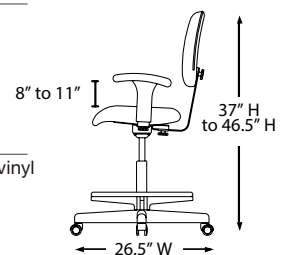
SPECIFICATIONS

SERIES #	505	506
Weight Capacity	300 lbs.	300 lbs.
Overall width (wheel base)	26.5"	26.5"
Overall height	37" - 46.5"	37" - 46.5"
Seat width	19"	19"
Seat height (adjustable)	21" - 28"	21" - 28"
Arm height from seat	N/A	6.5"

OPTIONS

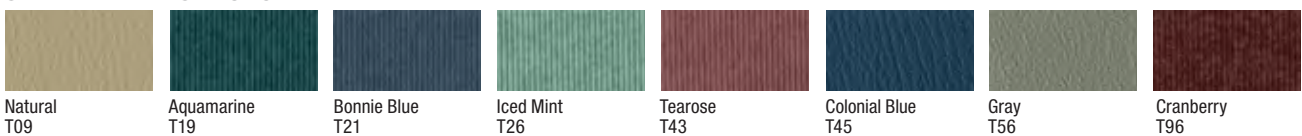
- Vinyl upgrades
- Champion, graded vinyl selections*
- Customer's own material (COM)
- PVC-free material

*For available patterns and colors for graded vinyl selections, please contact your Champion sales representative



Champion's Task Chairs come standard with a large, adjustable seat on a 25-inch pedestal. The height adjusts easily with a hand lever under the seat and the foot-ring creates a comfortable place for users to rest their feet. Champion's Task Chairs are ideal for nurse's stations, computer terminals, clinic offices, lab rooms or other applications.

STANDARD VINYL SELECTION



Printed color swatches may not be an exact match to actual fabrics and are enlarged to show detail.

CHAMPION
HEALTH. CARING. CHAIR.
Champion Manufacturing, Inc.
Elkhart, IN 46516
1.800.998.5018
championchair.com

Information contained in this literature is based on the latest product data available at the time of printing. Photography, artwork, text and specifications are subject to change. Photography may show optional items. Due to photographic and printing processes, product colors in this brochure are not necessarily accurate. Champion Manufacturing, Inc. reserves the right to make changes to colors, materials, prices, standards, options, equipment and any specification at any time without notice or obligation. Contact Champion direct for additional information and the latest specifications.

© 2018 Champion Manufacturing, Inc. Litho in USA CMI-0029 04/18

CHAMPION®

Provide your patients with the best care and comfort with these versatile accessories from Champion.

Accessories FOR RECLINERS

1.800.998.5018
www.championchair.com

NOTE: Not all accessories are compatible for use with all recliner models. Ask your Champion sales representative for details.



PATIENT COMFORT

Head pillow

Can also provide adjustable lumbar support when head pillow is moved down. Do not use as lumbar support on recliners with heat. Large strap holds secure. Logo emboss optional.

Part # HP (for Classic and Ascent recliners, indicate color)
Part # HPCB (for Ascent II and Continuum recliners, indicate color)
Part # HPPS (for Passage, indicate color)



Cushion wedge

Rests on seat beside chair armrest. Provides additional arm cushion surface.
Part # CW (indicate color)



Nocturnal sleep pad

Converts Classic recliner into sleeper by providing a flat, comfortable sleep surface. Easy to install, clean and store.

Part # NS (for standard size Classic, Ascent and Ascent II recliners, indicate color)
Part # NSX (for bariatric size Classic, Ascent and Ascent II recliners, indicate color)

Sleep guards*

Removable sleep rails provide security to both patient and caregiver for overnight treatments. For recliners with solid panel (no break arm).

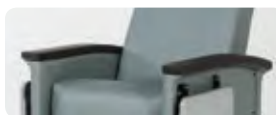
Part # SLEEPGUARD (for Classic recliners, indicate color)
Part # SLPGRDCURVARM (for Ascent & Ascent II lines, indicate color)



BRK sleep guards*

Removable sleep rails for recliners with break-away arm tops.

Part # BRKSLPGUARD (factory-installed, indicate color)



Foot rest extender

Comfortable support for taller patients' feet when in full recline position.

Part # FE (indicate color)

Arm caps

Extended arm surface for added patient comfort and style.

Part # V (for Continuum & Passage models only, indicate color)
Part # E (molded arm caps. Black only. For Ascent & Ascent II lines)

PATIENT CONVENIENCE

Bag hook

Convenient stainless steel hook for Foley bag or other equipment.

Part # BAG HOOK

Personal items storage bag

Store multiple personal items in one convenient bag includes stainless steel hook.

Part # BAG (indicate color)

Articulating tablet arm*

Set a tablet or phone on it for viewing or working purposes. Black or grey.

Part # AATBLT-FX (fixed position for Classic recliners only - grey)
Part # AATBLT-FXB (fixed position for Classic recliners only - black)
Part # AATBLT-SW (swing arm for all Ascent, Ascent II, and bariatric Classic recliners - grey)
Part # AATBLT-SWB (swing arm for all Ascent, Ascent II, and bariatric Classic recliners - black)

Articulating TV arm*

Mounts and positions TV for individual patient. Designed for most recliners.

Part # AATV-FX (fixed position for Classic recliners only)
Part # AATV-SW (swing position for Ascent and Ascent II lines, and bariatric Classic recliners)

Universal tablet/smartphone holder

Extends to fit both tablets and smartphones. Elevate only.

Part # E8UHOLDL (mount L side)
Part # E8UHOLDR (mount R side)





TV arm/bracket for Passage Series

Arm and bracket designed for Passage Series recliner only. (No photo)




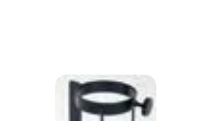

Part # TV-PFMOUNT (factory-installed or retrofit for fixed arm recliner)
Part # TV-PSMOUNT (factory-installed or retrofit for swing-away arm recliner)

*Accessories marked with an asterisk are available to be retrofit onto existing recliners. If you would like to retrofit your recliner with one or more of those accessories, please speak with your Champion representative.

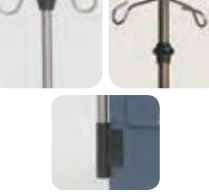




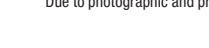

COVERS

	Push handle cover	Covers and protects push handle, protects wall surfaces. Part # HA-PAD (black)
	Head flap protector	Protects seat back, extending life of recliner. Double-sided extends wear of flap. Logo emboss optional. Speak with your Champion Sales Representative for individual part numbers based on chair model and chair color.
	Arm covers	Minimize wear-and-tear on recliner arms. Easy to clean. Part # AC (Classic models only, indicate color) Part # AC6 (Ascent and Ascent II models only, indicate color) Part # AC2 (Concord model only, indicate color) Part # ACP (Passage model only, indicate color)
	Paper roll holder	Minimize the risk of cross contamination, quickly and conveniently. Comes with one paper roll. Additional rolls must be purchased from a paper provider. Part # PAPER-STD (for standard size Classic, Ascent & Ascent II, and Contium recliners) Part # PAPER-CND (for Concord) Part # PAPER-XL (for bariatric Classic, Ascent & Ascent II recliners)

TABLES

	Fold-away table (with cupholder)	Cupholder for fold-away tables. Order with table. Black only. Part # C (both L and R tables) Part # CUPHOLDER (one table, specify L or R)
	Black over-the-lap tray (with cupholder)	Fold-away table for Ascent II line, Passage or Continuum models. Black only. Part # FB (first table) Part # SB (second table not available on Continuum)
	Multifunctional Table	Tray has slightly curved design. Black only. Part # LT-BRTC (for Classic, Ascent, and Ascent II recliners) Part # LT-BRTXC (for Classic XL, Ascent XL & Ascent II XL) Part # LT-BRTCC (for Continuum only)
	Articulating quick release table	Table mounts to right or left side. Elevate only. White. Part # E8MFNCTBL (mount side L, Elevate only) Part # E8MFNCTBR (mount side R, Elevate only)
	Oxygen tank holder	Table comes in black or grey with a right or left side mount. <i>(No photo)</i> Speak with your Champion Sales Representative for individual part numbers based on chair model, table color and mounting side.

MISCELLANEOUS

	IV pole	Holds most oxygen tanks or O ² Concentrators, mounts to most chairs. Not available for the Elevate. Part # O2TANK1L (mount L side for fixed arm for Classic recliners) Part # O2TANK1R (mount R side for fixed arm Classic recliner) Part # O2TANKSWNGL (mount L side for swing-away arm Ascent, Ascent II, and Classic XL recliners) Part # O2TANKSWNGR (mount R side for swing-away arm Ascent, Ascent II, and Classic XL recliners)
	IV bracket	Extendable IV poles are easily mounted to the recliner, or simple to use in a rolling base. Part # IVPOLE1 (2-hook) Part # IVPOLE4 (4-hook) Part # E8IVPOLEL (mount L side, 4-hook, Elevate only) Part # E8IVPOLER (mount L side, 4-hook, Elevate only)
	IV rolling base, locking	Bracket attaches IV pole to recliner. Saves floor space and eliminates separate IV equipment when moving patient. Part # IVBRK
	Arm support	IV poles lock securely into this five-caster base. Part # IVBASELK
	Arm support bracket	For caregiver use when starting IVs. Right or left side mount. Speak with your Champion Sales Representative for individual part numbers based on chair model, chair color and mounting side.
	Elevate push handle	Part # ADJARMSUPPBRK (for Classic, Ascent and Ascent II recliners)
	Transparent plastic leg rest cover	Easily position the Elevate in treatment areas. <i>(No photo)</i> Part # E8HANDLE (for Elevate, white)
	Transparent plastic leg rest cover	Keeps leg rest clean. Elevate only. <i>(No photo)</i> Part # E8TPLCVR

Information contained in this literature is based on the latest product data available at the time of printing. Photography, artwork, text and specifications are subject to change. Photography may show optional items. Due to photographic and printing processes, product colors in this brochure are not necessarily accurate. Champion Manufacturing, Inc. reserves the right to make changes to colors, materials, prices, standards, options, equipment and any specification at any time without notice or obligation. Contact Champion direct for additional information and the latest specifications.

COLOR SELECTIONS

A WORLD OF COLORS AND PATTERNS AT YOUR FINGERTIPS.

Easily shop a broad palette of colors and patterns online at:

<https://www.championchair.com/design-resources/#fabrics-finishes>

Our fabrics section will provide you with:

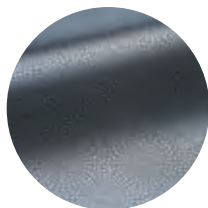
- Standard vinyl selections for all models.
- Information on how our vinyl lines are manufactured to endure the toughest healthcare environments.
- Links to some of our top providers of textiles like CF Stinson, LDI Enviroleather, Momentum Textiles and Omnova, where you can shop colors and patterns, and order free samples delivered to your door.

Champion is happy to assist you with COM selections as well.

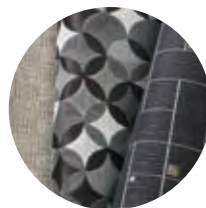
Please contact your local Champion representative for any questions you may have, and for more details regarding our standard and upgraded selections.



Silica



Vinyl



Environmentally
Friendly Choices



Polyurethane

Warranty and Service you can count on.

We know you're in business to provide care to patients, and reliable seating is an essential part of that care. That's why we do whatever it takes to keep your Champion products working for years to come. Supplying the best service and support in the business is part of what makes Champion a leading name in healthcare seating products.

For more information or to order Champion products, contact your Champion representative.

**Call +1.800.998.5018 or visit us
on the web at championchair.com.**

Information found in this material is based on the latest product data available at the time of printing. Photography, artwork, text and specifications are subject to change. Photography may show optional items. Due to photographic and printing processes, product colors are not necessarily accurate. Champion Manufacturing, Inc. reserves the right to make changes to colors, materials, prices, standards, options, equipment and any specification at any time without notice or obligation. Contact Champion direct for additional information and the latest specifications.



CHAMPION
HEALTH. CARING. CHAIR.

Champion Manufacturing, Inc.
2601 Industrial Parkway
Elkhart, IN 46516
+ 1.800.998.5018
championchair.com